



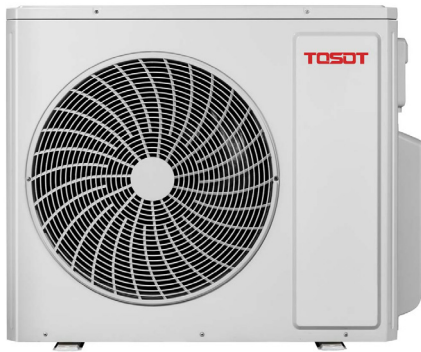
MULTI-ROOM DUCTLESS HEAT-PUMP SYSTEMS

42000 BTU / H WALL MOUNTED HEAT- PUMP SYSTEM

SUBMITTAL DATA: TM42HX40

Job Name	Location	Date
Purchaser	Engineer	
Submitted To	For	<input type="checkbox"/> Reference <input type="checkbox"/> Approval <input type="checkbox"/> Construction
Unit Designation	Schedule No.	

**AHRI CERTIFIED REF
211164243 (NON-DUCTED) &
211164248 (DUCTED)**



GENERAL FEATURES

- Up to 5 Indoor Units(5-Port)
- Heating as low as -22F
- DC Inverter Twin Rotary Technology
- Quiet Operation - Both Indoor & Outdoor
- Acrylic Resin/Anti-Corrosion Coil Protection
- Intelligent Defrost
- Auto Restart on Power Outages
- Multi-point Diagnostics

SYSTEM RATINGS		OUTDOOR UNIT DATA	
Non-Ducted Indoor		Compressor	
Rated Cooling Capacity(95F)	36,000 BTUH	Type	DC Inverter Driven Twin Rotary
Cooling Capacity (min-max)		RLA	18.4 A
Rated Heating Capacity(47F)	40,000 BTUH	Compressor Crankcase and Base Pan Heaters included	
Low temperature heating(17F)	35,600BTUH		
Heating Capacity (min-max)		Fan Motor	
SEER2/EER2	21/12	Output Power	130 W
HSPF2/COP	10/3.88	FLA	/
Ducted Indoor		Air Flow (Max)	3,413 CFM
Rated Cooling Capacity(95F)	36,000 BTUH	Sound Pressure Level	
Cooling Capacity (min-max)		Cooling	63 db(A)
Rated Heating Capacity(47F)	40,000 BTUH	Heating	63 db(A)
Low temperature heating(17F)	32,400 BTUH		
Heating Capacity (min-max)		Dimensions & Weights	
SEER2/EER2	16/11	Unit Dimensions (LxHxD)	40.2 x 32.5 x 16.8 -in
Operating Range		Weight (Net/Shipping)	174.2/189.6 LBS
Cooling (min-max)	-22 ~ 118°F	Min. Number of Indoor Units	1
	-30 ~ 48°C	Max. Number of Indoor Units	5
Heating (min-max)	-22 ~ 75.2°F	REFRIGERANT PIPING DATA	
	-30 ~ 24°C	Refrigerant Type	R410A
Power Supply		Refrigerant Charge	134oz
Normal Operational Voltage	208/230 V, 1 Phase, 60 Hz	Additional Charge Per Line Length	0.20-oz/ft
Voltage Range	187 - 253 V	Connection Method	Flared
Main Power Wire Size	10-2 AWG	Factory Charge for Total Line Length	131.2-ft
Interconnecting Cable Wire Size	14-4 AWG	Max Total Refrigerant Pipe Length	262.5-ft
Rated Current (Cooling/Heating)	20.4/21.7 A	Max Refrigerant Piping Height Distance(indoor and outdoor)	82-ft
MCA	26 A	Max Refrigerant Piping Length to any Indoor Unit	82-ft
MOCP	35 A	Max Refrigerant Piping Height Distance(up indoor and outdoor)	82-ft
Suggested Breaker Size	30 A	Max Refrigerant Piping Height Distance(indoor and up outdoor)	82-ft

TOSOT.COM





FEATURES & FUNCTION SUMMARY: TM42HX40

SYSTEM FEATURES	
Inverter Type	DC Inverter
Ultra Low Frequency Torque Control	YES
Power Factor Correction	YES
Compressor Type	Twin Rotary
Refrigerant Type	R410A
Basepan With Electric Heater	YES
Compressor With Electric Heater	YES
Condenser Fan	Axial
Condenser Motor Type	DC
Condenser Motor Drive	Direct
Condenser Coil	Aluminum Fin/Copper Tube
Outdoor Fin Coating (Blue)	Acrylic Resin
Intelligent Defrosting	YES
Low Voltage Startup	YES
Memory/Power Failure Recovery	YES
Self Diagnosis	YES
Low Ambient Cooling	YES
XK19 Wired Controller Interface	YES
REMOTE CONTROLLER FUNCTIONS	See individual Indoor Unit Controllers Functions
XK19 WIRED CONTROLLER FUNCTIONS ²	
On/Off	YES
Operating Mode	YES
Fan Speed	YES
Room Setpoint	YES
Model Numbers	YES
Timer Mode	YES
Sleep Mode	YES
Turbo Mode	YES
X-Fan Mode	YES
Privacy Lock	YES

Note: Some indoor models may not support specific system features or functions.



EXTENDED RATINGS: TM42HX40

COOLING PERFORMANCE																					
Outdoor Ambient Temperature (DB)		Return Air Temperature																			
		70°F (DB) / 59°F (WB)					75°F (DB) / 63°F (WB)					80°F (DB) / 67°F (WB)					90°F (DB) / 73°F (WB)				
		TC (Btu/h)	SC (Btu/h)	SHR	EER	Power Input (W)	TC (Btu/h)	SC (Btu/h)	SHR	EER (Btu/(h·W))	Power Input (W)	TC (Btu/h)	SC (Btu/h)	SHR	EER (Btu/(h·W))	Power Input (W)	TC (Btu/h)	SC (Btu/h)	SHR	EER (Btu/(h·W))	Power Input (W)
MAX OUTPUT*	-22°F																				
	-4°F																				
	5°F																				
	14°F																				
	23°F																				
	32°F																				
	41°F																				
	50°F																				
	59°F																				
	68°F																				
	77°F																				
	86°F																				
	95°F																				
104°F																					
113°F																					
118°F																					

*Maximum Output values are not based on AHRI test conditions

LEGEND:	W - Watts
	DB - Dry Bulb
	TC - Total Capacity
	SC - Sensible Capacity
	SHR - Sensible Heat Ratio
	COP - Coefficient of Performance



EXTENDED RATINGS: TM42HX40

HEATING PERFORMANCE										
Outdoor Ambient Temperature (DB)	Return Air Temperature									
	70°F (DB) / 59°F (WB)			75°F (DB) / 63°F (WB)			80°F (DB) / 67°F (WB)			
	TC (Btu/h)	COP (W/W)	Power Input (W)	TC (Btu/h)	COP (W/W)	SHR Power Input (W)	TC (Btu/h)	COP (W/W)	Power Input (W)	
MAX OUTPUT*	-22°F	24,500	1.59	4,520	24,182	1.53	4,619	23,569	1.46	4,723
	-5°F	29,240	1.85	4,628	28,860	1.79	4,730	28,129	1.70	4,836
	0°F	30,820	1.94	4,664	30,419	1.87	4,767	29,649	1.78	4,874
	5°F	32,400	2.02	4,700	31,979	1.95	4,803	31,169	1.86	4,912
	7°F	32,857	2.07	4,654	32,430	2.00	4,757	31,609	1.90	4,864
	17°F	35,600	2.38	4,380	35,137	2.30	4,476	34,247	2.19	4,577
	28°F	37,250	2.82	3,870	36,766	2.72	3,955	35,835	2.60	4,044
	38°F	38,625	3.29	3,445	38,123	3.17	3,521	37,157	3.03	3,600
	47°F	40,000	3.88	3,020	39,480	3.75	3,086	38,480	3.57	3,156
	57°F	41,200	4.18	2,886	40,664	4.04	2,949	39,634	3.85	3,016
	68°F	42,800	4.42	2,839	42,244	4.27	2,902	41,174	4.07	2,967
77°F	44,000	4.65	2,776	43,428	4.49	2,837	42,328	4.28	2,901	

*Maximum Output values are not based on AHRI test conditions

LEGEND:	W - Watts
	DB - Dry Bulb
	TC - Total Capacity
	SC - Sensible Capacity
	SHR - Sensible Heat Ratio
	COP - Coefficient of Performance

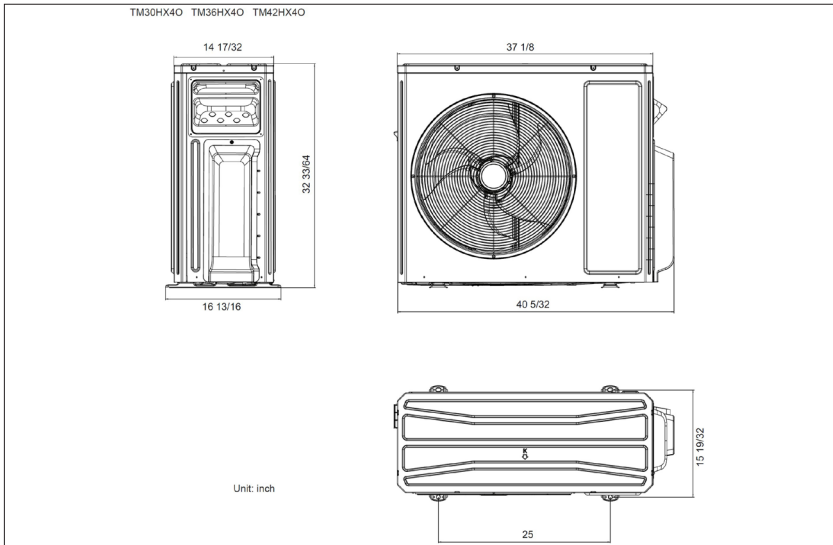
DIMENSIONAL SPECIFICATIONS: TM42HX40

42,000 BTUH MODEL

Model # TM42HX40

42,000 BTUH 230V

Units: inch



Suction/Gas Line Port Size

Port A	3/8-in OD Flared
Port B	3/8-in OD Flared
Port C	3/8-in OD Flared
Port D	3/8-in OD Flared
Port E	3/8-in OD Flared

Liquid Line Port Size

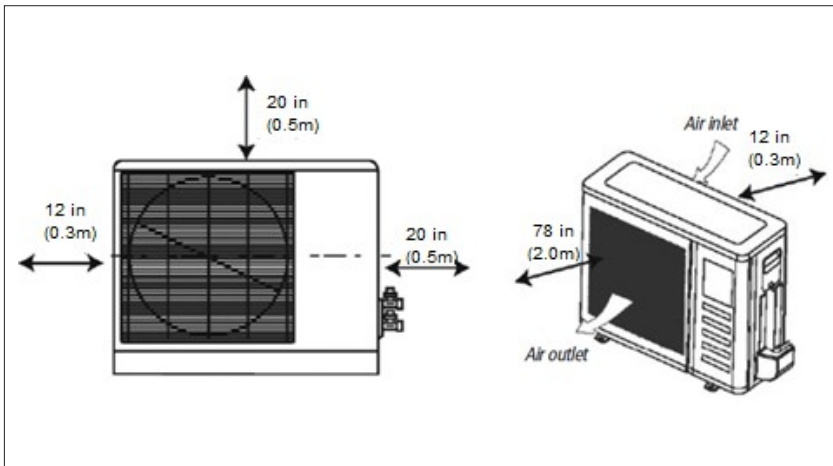
Port A	1/4-in OD Flared
Port B	1/4-in OD Flared
Port C	1/4-in OD Flared
Port D	1/4-in OD Flared
Port E	1/4-in OD Flared

Factory Supplied Piping Adapters

Adapter	P/N	Qty
3/8 (F) to 5/8 (M)	6654100009	2
3/8 (F) to 1/2 (M)	6654100013	4
1/4 (F) to 3/8 (M)	6654104	2

MINIMUM SPACING REQUIREMENTS

Units: inch



Notes:

1. Recommended Interconnecting Cable Type
14 AWG 4 Stranded Copper Conductors Wire.

2. Power wiring cable size must comply with applicable national and local codes.

3. Test conditions are based on AHRI 210/240.



EXTENDED RATINGS: TW24HXP2A1D

SUPER COOL

SUPER HEAT

COOLING PERFORMANCE							HEATING PERFORMANCE			
Outdoor Ambient Temperature (DB)	Return Air Temperature						Outdoor Ambient Temperature (DB)	Return Air Temperature		
	80° F (DB)							70° F (DB)		
	TC (Btu/h)	SHR	EER	Power Input (W)	SHR %	TC (Btu/h)		COP	Power Input (W)	
MAX OUTPUT	0°F	8450	6126	2.62	952	72.5%	MAX OUTPUT	-22°F		
	5°F							-20°F		
	10°F							-15°F		
	15°F							-10°F		
	20°F							-5°F		
	25°F							0°F		
	30°F							5°F		
	35°F							10°F		
	40°F							15°F		
	45°F							17°F		
	50°F							20°F		
	55°F							25°F		
	60°F							30°F		
	65°F							35°F		
	70°F							40°F		
	75°F							45°F		
	80°F							47°F		
	85°F							50°F		
	90°F							55°F		
	95°F							60°F		
100°F						65°F				
105°F						70°F				
110°F						75°F				
115°F										
120°F										
125°F										
129°F										

LEGEND:	W - Watts
	DB - Dry Bulb
	TC - Total Capacity
	SHR - Sensible Heat Ratio
	COP - Coefficient of Performance

