

**TOSOT**

# FOR USE WITH TOSOT MULTI ZONE OD UNITS

**9000 BTU / H (208/230V) WALL MOUNTED HEAT PUMP SYSTEM**

## SUBMITTAL DATA: TW09HQ2C2DI

Job Name	Location	Date
Purchaser	Engineer	
Submitted To	For	<input type="checkbox"/> Reference <input type="checkbox"/> Approval <input type="checkbox"/> Construction
Unit Designation	Schedule No.	



INCLUDED



SOLD SEPARATELY

### GENERAL FEATURES

- Multi Speed Fan
- Swing Louvers
- Compact and Quiet Design
- Wireless Remote with LCD Display
- WiFi Capable (Kit Sold Separately) WSBE07
- Wired Controller (Sold Separately) XE71
- I Feel Function
- Blue Fin Condenser Coil

SYSTEM RATINGS		OUTDOOR UNIT DATA			
<b>Cooling</b>		<b>Fan Moto</b>			
Rated Capacity	9000 BTUH	Type	Cross-Flow		
SEER	SEE MATCHED OUTDOOR UNIT RATINGS	Output Power	20 W		
EER		FLA	0.1 A		
<b>Heating at 47° F</b>		Fan Type	Crossflow		
Rated Capacity	11000 BTUH	Air Filter	Polymeric Mesh		
HSPF	SEE MATCHED OUTDOOR UNIT RATINGS	<b>Airflow</b>			
COP		Turbo / Hi / Med / Lo	377/288/241/171 CFM		
<b>Operating Range</b>		<b>Sound Pressure Level</b>			
Cooling	(Max)	SEE MATCHED OUTDOOR UNIT RATINGS	Turbo / Hi / Med / Lo	43/39/35/29 Clg db(A)	
	(Min)			43/39/35/29 Htg db(A)	
Heating	(Max)		<b>Dehumidification</b>		1.69 Pints/hr
	(Min)				5/8-in
<b>REFRIGERANT PIPING DATA</b>		<b>Drain Connection</b>			
<b>Operating Range</b>	R410A	Left or Right Drain Line Connection-Gravity Fed			
Liquid Pipe Size (OD)	1/4-in	<b>ELECTRICAL DATA</b>			
Gas Pipe Size (OD) Flared	3/8-in	<b>Power Supply</b>			
Connection Method	Flared	The indoor unit is powered from the (Min) outdoor unit, depending on local code, a disconnect switch may need to be installed to a power supply circuit.			
Pre-Charge Length	SEE MATCHED OUTDOOR UNIT RATINGS	Normal Operational Voltage	208/230V, 1 Ph, 60 Hz		
MAX Refrigerant Pipe Length		Voltage Range	187 - 253 V		
MIN Refrigerant Pipe Length		MCA	SEE MATCHED OUTDOOR UNIT RATINGS		
MAX Refrigerant Pipe Height Difference		MOCB/Breaker Size			
		<b>Interconnecting Wire Size</b>	14-4 AWG		
Stranded Copper Conductors Wire.					





## FEATURES & FUNCTION SUMMARY: TW09HQ2C2DI

SYSTEM FEATURES	
Indoor Fin Coating (Blue)	Acrylic Resin
Wired Controller Interface (XE71)	YES
WiFi Interface Capable (WSBEC07)	Optional
Indoor Fan Type	Crossflow
Multi Fan Speeds	4 Speeds
Indoor Unit Display	YES
Advance Filter	Optional (see Filter Kits)
Auxiliary Electrical Heater	NO
Ventilation (Outdoor Air)	NO
XK19 WIRED CONTROLLER FUNCTIONS <sup>2</sup>	
Auto Mode	YES
Auto Fan	YES
Auto Swing (Horizontal Auto Swing)	NO
Auto Swing (Vertical Auto Swing)	YES
Clock on Remote Controller	YES
Dry Mode	YES
Dry Anti-Mildew (X-Fan) Mode	NO
Energy Saving Mode	YES
Dirty Filter Alert	NO
I Feel Function	YES
Lock on Remote Controller	YES
Quiet Mode	NO
Room Temperature Display	YES
Sleep Mode	YES
4 Sleep Modes Options	NO
Timer Mode	YES
Turbo Mode	YES
Display On/Off Control	YES
Freeze Guard Mode	YES
Display On/Off Control	YES
Freeze Guard Mode	YES

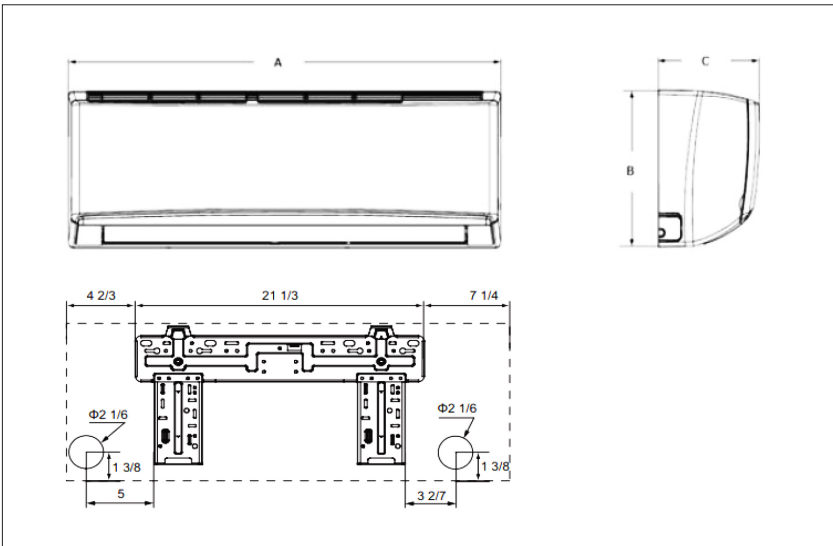
Note: Some indoor models may not support specific system features or functions.

**MINIMUM CLEARANCES: TW09HQ2C2DI**

**INDOOR UNIT DIMENSIONS**

Model No: TW09HQ2C2DI

Units: inch



Dimensions	
A	33 3/8
B	11 3/8
C	8 1/4

**Weight (Net/Shipping) 22 / 26.5 lbs**

Liquid Line Valve	1/4-in OD Flared
Gas Line Valve	3/8-in OD Flared
Drain Connector	5/8-in OD

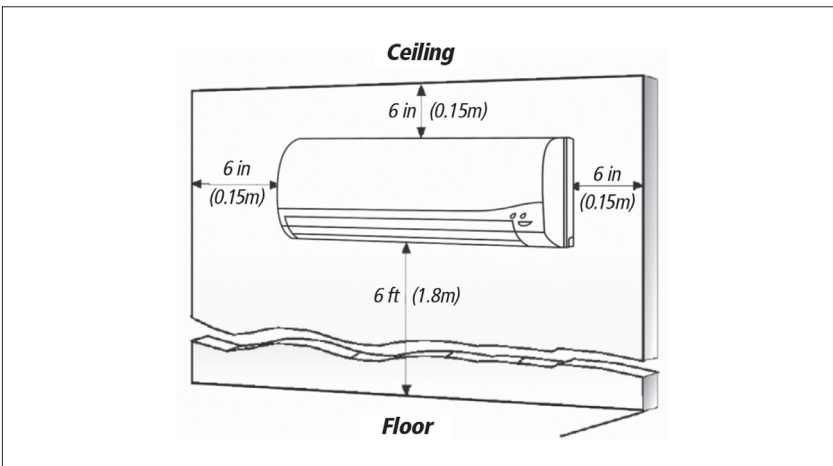
Notes:

Recommended Interconnecting Cable Type 14 AWG 4 Stranded Copper Conductors Wire.

**MINIMUM SPACING REQUIREMENTS**

INDOOR

Units: inch/m



Notes:

Recommended Interconnecting Cable Type 14 AWG 4 Stranded Copper Conductors Wire.