

TOSOT

HEAT / COOL
DAILY CHARMING, COOLING CHARMO

18,000 BTU / H WALL MOUNTED HEAT- PUMP SYSTEM

SUBMITTAL DATA: TW18HXCA5D

Job Name	Location	Date
Purchaser	Engineer	
Submitted To	For	<input type="checkbox"/> Reference <input type="checkbox"/> Approval <input type="checkbox"/> Construction
Unit Designation	Schedule No.	

**AHRI CERTIFIED REF
 NO: 211177538**



SYSTEM RATINGS		INDOOR UNIT DATA		
Cooling		Fan Motor		
Rated Capacity at 95° F	17,600 BTU/H	Type	Cross-flow	
Capacity Range	3,753-19,960BTU/H	Output Power	45W	
Power Input	1,750 W	FLA	0.70A	
Power Input (Min/Max)	200/2,300 W	Fan Speeds	7	
SEER / SEER2	17.5 / 17.5	Air flow (Min/Max)	283/618 CFM	
EER / EER2	10.05 / 10.05	Sound Pressure Level		
Heating		Cooling (Low/High)	32/50 dB(A)	
Rated Capacity at 47° F	19,100 BTU/H	Heating (Low/High)	32/50 dB(A)	
Capacity Range	2,730-22,519 BTU/H	Dehumidification	3.8 pt/hr	
Power Input	1,750 W	OUTDOOR UNIT DATA		
Power Input (Min/Max)	260 / 2,300 W	Compressor		
HSPF/HSPF2	9.0 / 8.5	Type	DC Inverter Driven, Rotary	
COP	3.20	RLA	9.35 A	
		Fan Motor		
		Output Power	30 W	
		RLA	0.9 A	
Operating Range		Sound Pressure Level		
Cooling	(Max)	122°F (50°C)	57 dB(A)	
	(Min)	-0.4°F (-18°C)		
		Refrigerant Piping Data		
Heating	(Max)	75.2°F (24°C)	Liquid Pipe Size (OD)	1/4-in
	(Min)	-13°F (-25°C)	Gas Pipe Size (OD)	1/2-in
Power Supply		Connection Method	Flared	
Normal Operational Voltage	208/230 V, 1 Phase, 60 Hz	Factory Charge	R410A/44.1 oz	
Voltage Range	187 - 253 V	Additional Charge	0.215 oz/ft	
Main Power Wire Size	14-2 AWG	Pre-Charge Length	24.6-ft	
Interconnecting Cable Wire Size	14-4 AWG	MAX Refrigerant Pipe Length	82.0-ft	
MCA	14A	MIN Refrigerant Pipe Length	10-ft	
MOCP/Breaker Size	20 A	MAX Refrigerant Pipe Height Difference	32.8-ft	

GENERAL FEATURES

- Easy Installation and cleaning
- Self Cleaning function
- Fast Cooling With Meticulous Care
- WIFI Included
- 3D Airoutlet
- Wired Controller (Sold Separately) XK19
- 7 Indoor Fan Speeds
- Copper Tube/Aluminum Fins w/Acrylic Resin Anti-Corrosion both inside and out
- Outdoor Temperature Display
- I-FEEL Function

TOSOT.COM





FEATURES & FUNCTION SUMMARY: TW18HXCA5D

SYSTEM FEATURES	
Ultra Low Frequency Torque Control	Yes
Power Factor Correction	Yes
Compressor Type	High Eff. Rotary
Refrigerant Type	R410A
Basepan With Electric Heater	YES
Compressor With Electric Heater	YES
Indoor & Outdoor Fin Coating (Blue)	Acrylic Resin/Anti-Corrosion
Intelligent Defrosting	YES
Intelligent Preheating	YES
Low Voltage Startup	YES
Memory/Power Failure Recovery	YES
Self Diagnosis	YES
Wired Controller Interface	YES
WIFI Included	YES
Indoor Fan Type	Cross-flow
Multi Fan Speeds	7 Speeds
Indoor Unit Display	YES
Auxiliary Electrical Heater	NO
Outdoor Temperature Display	YES
Auxiliary Electrical Heater	NO
Auto Mode	YES
Auto Fan	YES
Auto Swing (Horizontal Auto Swing)	NO
Auto Swing - 180°(Vertical Auto Swing)	YES
Clock on Remote Controller	YES
Dry Mode	YES
Dry Anti-Mildew (X-Fan) Mode	YES
Energy Saving Mode	YES
Dirty Filter Alert	NO
Fan Speed Control (7 speeds)	YES
I Feel Function	YES
Privacy Lock on Remote Controller	YES
Quiet Mode	YES
Room Temperature Display	YES
Sleep Mode	YES
Sleep Modes Options	YES
Timer Mode	YES
Turbo Mode	YES
Display On/Off Control	YES
Freeze Guard Mode	NO
Power Failure Mode	YES



EXTENDED RATINGS: TW18HXCA5D

COOLING PERFORMANCE

Outdoor Ambient Temperature (DB)	Return Air Temperature																				
	68°F (DB) / 57°F (WB)					73°F (DB) / 61°F (WB)					80°F (DB) / 67°F (WB)					90°F (DB) / 73°F (WB)					
	TC (Btu/h)	SC (Btu/h)	SHR	EER	Power Input (W)	TC (Btu/h)	SC (Btu/h)	SHR	EER (Btu/(h·W))	Power Input (W)	TC (Btu/h)	SC (Btu/h)	SHR	EER (Btu/(h·W))	Power Input (W)	TC (Btu/h)	SC (Btu/h)	SHR	EER (Btu/(h·W))	Power Input (W)	
MAX OUTPUT*	0	8777	6670	76%	12.9	678	9048	6696	74%	12.9	699	9328	6735	72%	12.9	721	9515	6755	71%	13.0	731
	5	9108	6922	76%	12.6	721	9390	6948	74%	12.6	744	9680	6989	72%	12.6	767	9874	7010	71%	12.7	778
	14	9439	7174	76%	12.3	767	9731	7201	74%	12.3	791	10032	7243	72%	12.3	816	10233	7265	71%	12.4	828
	23	9770	7425	76%	12.0	816	10072	7454	74%	12.0	842	10384	7497	72%	12.0	868	10592	7520	71%	12.0	881
	32	10267	7803	76%	11.8	868	10585	7833	74%	11.8	895	10912	7988	73%	11.8	923	11130	7902	71%	11.9	937
	41	11508	8976	78%	12.5	924	11864	9016	76%	12.5	952	12231	8953	73%	12.5	982	12475	9045	73%	12.5	997
	50	12114	9449	78%	11.8	1027	12488	9491	76%	11.8	1058	12874	9424	73%	11.8	1091	13132	9521	73%	11.9	1107
	59	12751	9946	78%	11.8	1081	13145	9991	76%	11.8	1114	13552	9893	73%	11.8	1148	13823	10022	73%	11.9	1166
	68	14168	11051	78%	11.5	1228	14606	11101	76%	11.5	1266	15058	10992	73%	11.5	1305	15359	11135	73%	11.6	1325
	77	17278	13477	78%	10.6	1637	17812	13715	77%	10.6	1688	18363	13772	75%	10.6	1740	18730	13580	73%	10.6	1766
	86	18780	15024	80%	9.2	2032	19361	14908	77%	9.2	2095	19960	14970	75%	9.2	2160	20359	15371	76%	9.3	2192
	95	16560	13248	80%	10.1	1647	17072	13145	77%	10.1	1698	17600	13552	77%	10.1	1750	17952	13554	76%	10.1	1776
	104	15787	12630	80%	9.1	1741	16276	12532	77%	9.1	1795	16779	13423	80%	9.1	1850	17115	12922	76%	9.1	1878
	113	15017	12013	80%	8.2	1835	15481	12075	78%	8.2	1892	15960	12768	80%	8.2	1950	16279	12291	76%	8.2	1979

*Maximum Output values are not based on AHRI test conditions

LEGEND:	W - Watts
	DB - Dry Bulb
	TC - Total Capacity
	SC - Sensible Capacity
	SHR - Sensible Heat Ratio
	COP - Coefficient of Performance



EXTENDED RATINGS: TW18HXCA5D

HEATING PERFORMANCE													
Outdoor Ambient Temperature (DB)		Return Air Temperature											
		70°F (DB) / 59°F (WB)			75°F (DB) / 63°F (WB)			80°F (DB) / 67°F (WB)			90°F (DB) / 73°F (WB)		
		TC (Btu/h)	COP (W/W)	Power Input (W)	TC (Btu/h)	COP (W/W)	Power Input (W)	TC (Btu/h)	COP (W/W)	Power Input (W)	TC (Btu/h)	COP (W/W)	Power Input (W)
MAX OUTPUT*	-4	10810	1.72	1844	10486	1.64	1872	9961	1.52	1918	9822	1.48	1940
	0	11750	1.83	1882	11398	1.75	1910	10828	1.62	1958	10676	1.58	1979
	6	12500	1.91	1920	12125	1.82	1949	11519	1.69	1998	11357	1.65	2019
	10	13429	1.97	2002	13026	1.88	2032	12375	1.74	2083	12202	1.70	2106
	16	14440	2.05	2064	14007	1.96	2095	13306	1.82	2148	13120	1.77	2171
	19	15200	2.09	2128	14744	2.00	2160	14007	1.85	2214	13811	1.81	2238
	24	15656	2.13	2149	15186	2.04	2182	14427	1.89	2236	14225	1.84	2261
	32	16800	2.28	2155	16296	2.18	2187	15481	2.02	2242	15264	1.97	2267
	41	21854	2.95	2168	21198	2.82	2201	20138	2.62	2256	19857	2.55	2280
	43	22300	2.98	2190	21631	2.85	2223	20549	2.64	2278	20262	2.58	2303
	47	19100	3.20	1750	18527	3.06	1776	17601	2.83	1821	17354	2.76	1841
	53	18200	3.00	1776	17654	2.87	1803	16771	2.66	1848	16537	2.59	1868
	59	16380	3.11	1545	15889	2.97	1568	15094	2.75	1608	14883	2.68	1625
	64	15725	3.17	1452	15253	3.03	1474	14490	2.81	1511	14288	2.74	1528
	70	11794	3.45	1002	11440	3.30	1017	10868	3.05	1043	10716	2.98	1054
75	8256	3.22	752	8008	3.08	763	7607	2.85	782	7501	2.78	791	

*Maximum Output values are not based on AHRI test conditions

LEGEND:	W - Watts
	DB - Dry Bulb
	TC - Total Capacity
	SC - Sensible Capacity
	SHR - Sensible Heat Ratio
	COP - Coefficient of Performance

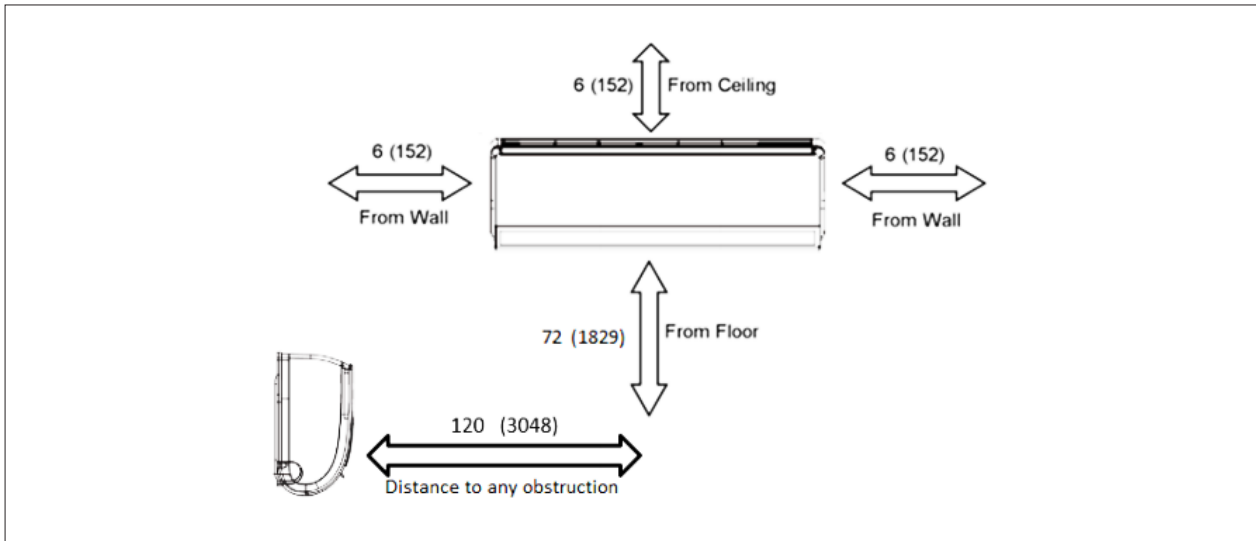


DIMENSIONAL SPECIFICATIONS: TW18HXCA5D

MINIMUM SPACING REQUIREMENTS

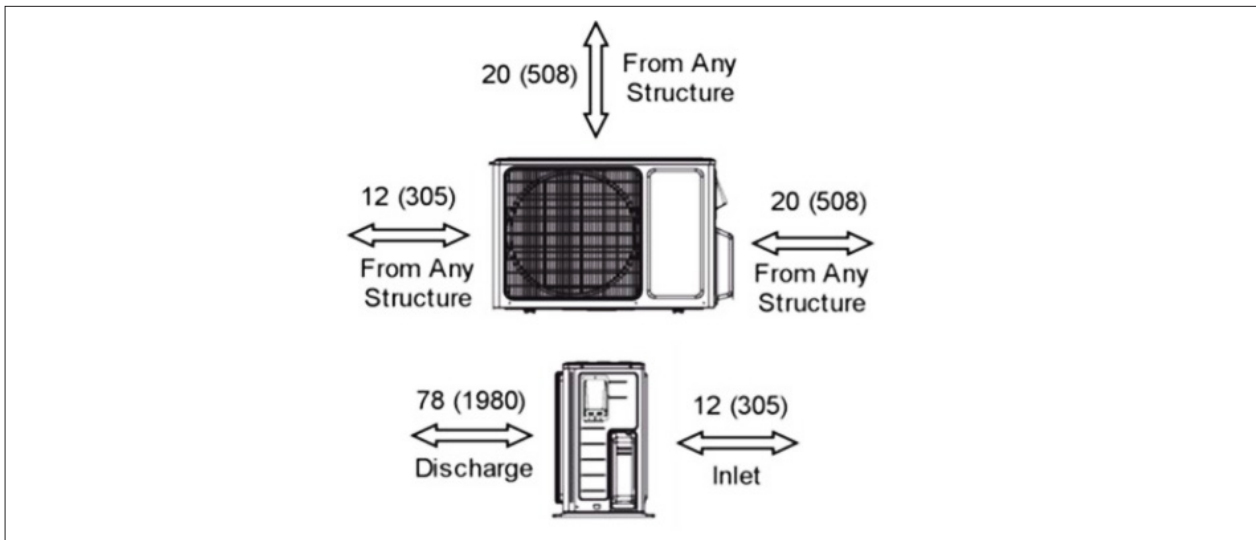
INDOOR

Units: inch (mm)



MINIMUM OUTDOOR CLEARANCES

Units: inch (mm)

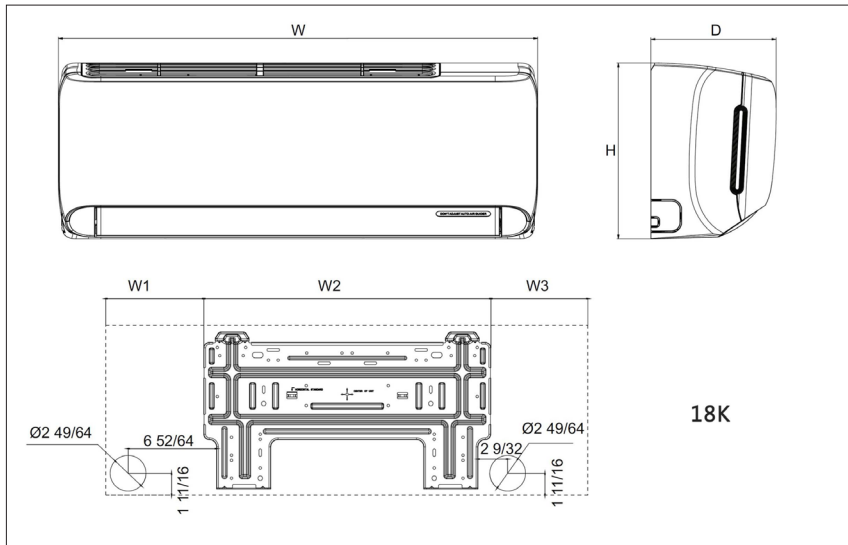


DIMENSIONAL SPECIFICATIONS: TW18HXCA5D

INDOOR UNIT DIMENSIONS

Model No: TW18HXCA5DI

Units: inch



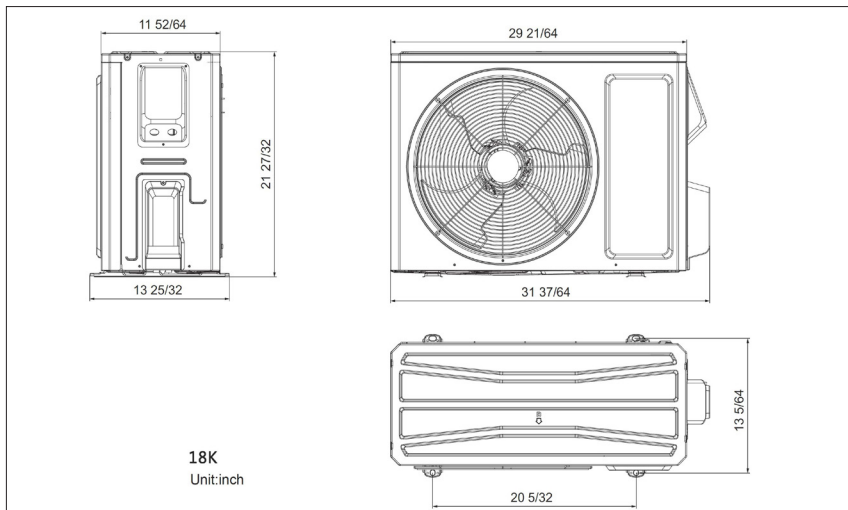
Dimensions	
D	9 11/16
H	13 7/64
W	37 1/8
W1	7 35/64
W2	22 3/32
W3	7 31/64

Weight (Net/Shipping) 19.8 / 24.3 LBS

Liquid Line Valve	1/4-in OD Flared
Gas Line Valve	1/2-in OD Flared
Drain Connector	5/8-in OD

OUTDOOR UNIT DIMENSIONS

Model No: TW18HXCA5DO



Weight (Net/Shipping) 71.7/77.2 LBS

Liquid Line Valve	1/4-in OD Flared
Gas Line Valve	1/2-in OD Flared

Notes:

1. Recommended Interconnecting Cable Type 14 AWG 4 Stranded Copper Conductors Wire.
2. Power wiring cable size must comply with applicable national and local codes.
3. Test conditions are based on AHRI 210/240.