



MULTI-ROOM DUCTLESS HEAT-PUMP SYSTEMS

30,000 BTU / H WALL MOUNTED HEAT- PUMP SYSTEM

SUBMITTAL DATA: TM30HX40

Job Name	Location	Date
Purchaser	Engineer	
Submitted To	For	<input type="checkbox"/> Reference <input type="checkbox"/> Approval <input type="checkbox"/> Construction
Unit Designation	Schedule No.	

**AHRI CERTIFIED REF
211164241 (NON-DUCTED) &
211164246 (DUCTED)**



GENERAL FEATURES

- Up to 5 Indoor Units(5-Port)
- Heating as low as -22F
- DC Inverter Twin Rotary Technology
- Quiet Operation - Both Indoor & Outdoor
- Acrylic Resin/Anti-Corrosion Coil Protection
- Intelligent Defrost
- Auto Restart on Power Outages
- Multi-point Diagnostics

SYSTEM RATINGS		OUTDOOR UNIT DATA	
Non-Ducted Indoor		Compressor	
Rated Cooling Capacity(95F)	28,400 BTUH	Type	DC Inverter Driven Twin Rotary
Cooling Capacity (min-max)		RLA	14.25 A
Rated Heating Capacity(47F)	30,000 BTUH	Compressor Crankcase and Base Pan Heaters included	
Low temperature heating(17F)	27,200 BTUH	Fan Motor	
Heating Capacity (min-max)		Output Power	130W
SEER2/EER2	21/12.5	FLA	/
HSPF2/COP	10/3.6	Air Flow (Max)	3,413 CFM
Ducted Indoor		Sound Pressure Level	
Rated Cooling Capacity(95F)	28,400 BTUH	Cooling	56 db(A)
Cooling Capacity (min-max)		Heating	56 db(A)
Rated Heating Capacity(47F)	30,000 BTUH	Dimensions & Weights	
Low temperature heating(17F)	26,800 BTUH	Unit Dimensions (LxHxD)	40.2 x 32.5 x 16.8 -in
Heating Capacity (min-max)		Weight (Net/Shipping)	152.1/167.6LBS
SEER2/EER2/HSPF2	16/11/8	Min. Number of Indoor Units	1
Operating Range		Max. Number of Indoor Units	4
Cooling (min-max)	-22 ~ 118°F	REFRIGERANT PIPING DATA	
	-30 ~ 48°C	Refrigerant Type	R410A
Heating (min-max)	-22 ~ 75.2°F	Refrigerant Charge	105.8oz
	-30 ~ 24°C	Additional Charge Per Line Length	0.20-oz/ft
Power Supply		Connection Method	Flared
Normal Operational Voltage	208/230 V, 1 Phase, 60 Hz	Factory Charge for Total Line Length	131.2-ft
Voltage Range	187 - 253 V	Max Total Refrigerant Pipe Length	262.5-ft
Main Power Wire Size	10-2 AWG	Max Refrigerant Piping Height Distance(indoor and outdoor)	82-ft
Interconnecting Cable Wire Size	14-4 AWG	Max Refrigerant Piping Length to any Indoor Unit	82-ft
Rated Current (Cooling/Heating)	20.4/21.7 A	Max Refrigerant Piping Height Distance(up indoor and outdoor)	82-ft
MCA	26 A	Max Refrigerant Piping Height Distance(indoor and up outdoor)	82-ft
MOCp	35 A		
Suggested Breaker Size	30 A		

TOSOT.COM





FEATURES & FUNCTION SUMMARY: TM30HX40

SYSTEM FEATURES	
Inverter Type	DC Inverter
Ultra Low Frequency Torque Control	YES
Power Factor Correction	YES
Compressor Type	Twin Rotary
Refrigerant Type	R410A
Basepan With Electric Heater	YES
Compressor With Electric Heater	YES
Condenser Fan	Axial
Condenser Motor Type	ECM
Condenser Motor Drive	Direct
Condenser Coil	Aluminum Fin/Copper Tube
Outdoor Fin Coating (Blue)	Acrylic Resin
Intelligent Defrosting	YES
Low Voltage Startup	YES
Memory/Power Failure Recovery	YES
Self Diagnosis	YES
Low Ambient Cooling	YES
XK19 Wired Controller Interface	YES
REMOTE CONTROLLER FUNCTIONS	See individual Indoor Unit Controllers Functions
XK19 WIRED CONTROLLER FUNCTIONS ²	
On/Off	YES
Operating Mode	YES
Fan Speed	YES
Room Setpoint	YES
Model Numbers	YES
Timer Mode	YES
Sleep Mode	YES
Turbo Mode	YES
X-Fan Mode	YES
Privacy Lock	YES

Note: Some indoor models may not support specific system features or functions.



EXTENDED RATINGS: TM30HX40

COOLING PERFORMANCE																				
Outdoor Ambient Temperature (DB)		Return Air Temperature																		
		70°F (DB) / 59°F (WB)					75°F (DB) / 63°F (WB)					80°F (DB) / 67°F (WB)					90°F (DB) / 73°F (WB)			
		TC (Btu/h)	SC (Btu/h)	SHR	EER	Power Input (W)	TC (Btu/h)	SC (Btu/h)	SHR	EER (Btu/(h·W))	Power Input (W)	TC (Btu/h)	SC (Btu/h)	SHR	EER (Btu/(h·W))	Power Input (W)	TC (Btu/h)	SC (Btu/h)	SHR	EER (Btu/(h·W))
MAX OUTPUT*	-22°F																			
	-4°F																			
	5°F																			
	14°F																			
	23°F																			
	32°F																			
	41°F																			
	50°F																			
	59°F																			
	68°F																			
	77°F																			
	86°F																			
	95°F																			
104°F																				
113°F																				
118°F																				

*Maximum Output values are not based on AHRI test conditions

LEGEND:	W - Watts
	DB - Dry Bulb
	TC - Total Capacity
	SC - Sensible Capacity
	SHR - Sensible Heat Ratio
	COP - Coefficient of Performance





EXTENDED RATINGS: TM30HX40

HEATING PERFORMANCE										
Outdoor Ambient Temperature (DB)	Return Air Temperature									
	70°F (DB) / 59°F (WB)			75°F (DB) / 63°F (WB)			80°F (DB) / 67°F (WB)			
	TC (Btu/h)	COP (W/W)	Power Input (W)	TC (Btu/h)	COP (W/W)	SHR Power Input (W)	TC (Btu/h)	COP (W/W)	Power Input (W)	
MAX OUTPUT*	-22°F	20,020	1.72	3,420	19,760	1.66	3,495	19,259	1.58	3,574
	-5°F	21,688	1.79	3,546	21,406	1.73	3,624	20,864	1.65	3,706
	0°F	22,244	1.82	3,588	21,955	1.75	3,667	21,399	1.67	3,749
	5°F	22,800	1.84	3,630	22,504	1.78	3,710	21,934	1.69	3,793
	7°F	23,429	1.92	3,584	23,124	1.85	3,663	22,538	1.76	3,746
	17°F	27,200	2.41	3,310	26,846	2.33	3,383	26,166	2.22	3,459
	28°F	28,250	2.84	2,913	27,883	2.75	2,977	27,177	2.62	3,044
	38°F	29,125	3.31	2,581	28,746	3.19	2,638	28,018	3.04	2,697
	47°F	30,000	3.91	2,250	29,610	3.77	2,300	28,860	3.60	2,351
	57°F	30,900	4.21	2,150	30,498	4.07	2,197	29,726	3.88	2,247
	68°F	32,100	4.45	2,115	31,683	4.30	2,162	30,880	4.09	2,211
77°F	33,000	4.68	2,068	32,571	4.52	2,113	31,746	4.31	2,161	

*Maximum Output values are not based on AHRI test conditions

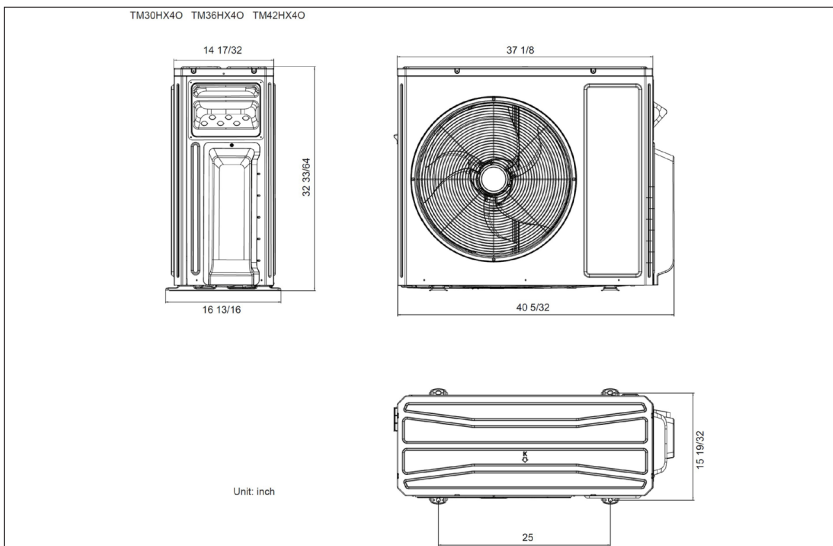
LEGEND:	W - Watts
	DB - Dry Bulb
	TC - Total Capacity
	SC - Sensible Capacity
	SHR - Sensible Heat Ratio
	COP - Coefficient of Performance

DIMENSIONAL SPECIFICATIONS: TM30HX40

30,000 BTUH MODEL

Model # TM30HX40

Units: inch



Suction/Gas Line Port Size

Port A	3/8-in OD Flared
Port B	3/8-in OD Flared
Port C	3/8-in OD Flared
Port D	3/8-in OD Flared

Liquid Line Port Size

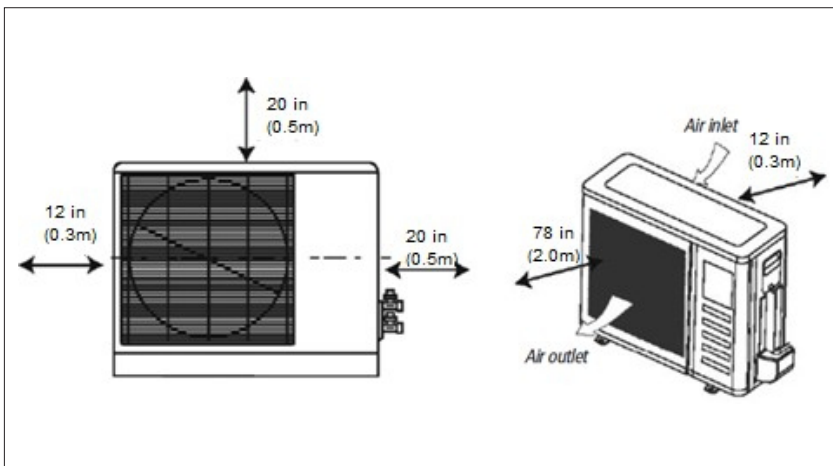
Port A	1/4-in OD Flared
Port B	1/4-in OD Flared
Port C	1/4-in OD Flared
Port D	1/4-in OD Flared

Factory Supplied Piping Adapters

Adapter	P/N	Qty
3/8 (F) to 5/8 (M)	6654100009	2
3/8 (F) to 1/2 (M)	6654100013	3
1/4 (F) to 3/8 (M)	6654104	2

MINIMUM SPACING REQUIREMENTS

Units: inch



Notes:

1. Recommended Interconnecting Cable Type
14 AWG 4 Stranded Copper Conductors Wire.

2. Power wiring cable size must comply with applicable national and local codes.

3. Test conditions are based on AHRI 210/240.