



48,000 BTUH SUPER +MULTI-PORT HEAT PUMP SYSTEM

SUBMITTAL DATA: TM48H2O

Job Name	Location	Date
Purchaser	Engineer	
Submitted To	For	<input type="checkbox"/> Reference <input type="checkbox"/> Approval <input type="checkbox"/> Construction
Unit Designation	Schedule No.	

**AHRI CERTIFIED REF NO:
10087525 / 10087526**



GENERAL FEATURES

- Operates up to 8 Indoor Units
- G10 DC Inverter Technology
- 2-Way, 3-Way&5-way Branch Units (Sold Separately)
- Acrylic Resin / Anti-Corrosion Coil Protection
- Intelligent Defrost
- Auto Restart on Power Outages

SYSTEM RATINGS			OUTDOOR UNIT DATA	
Cooling			Compressor	
Rated Capacity	48,000 BTU/H		Type	DC Inverter Driven Rotary
Capacity Range	3,412-54,592 BTU/H		RLA	23.0 A
Power Input (Max)	5,000 W		Fan Motor	
SEER	16.0		Output Power	2 x 1/6HP
EER	9.6		FLA	2 x 1.0 A
Heating at 47° F			Air Flow (Max)	3,766 CFM
Rated Capacity	54,500 BTU/H		Fan Motor	
Capacity Range	4,094-58,000 BTU/H		Cooling	57 db(A)
Power Input (Max)	4,400 W		Heating	57 db(A)
HSPF	8.0		REFRIGERANT PIPING DATA	
COP	3.6		Max. Number of Indoor Units	8
Heating at 17° F			Connection Method	Flared
Rated Capacity	36,400 BTU/H		Refrigerant Type	R410A
Capacity Range	45,358 BTU/H		Refrigerant Charge	174.6 oz
Operating Range			Air Flow (Max)Additional Charge Per Line Length	0.54-oz/ft
Cooling	(Max)	118°F (48°C)	Factory Charge for Total Line Length	98-ft
	(Min)	5°F (-15°C)	Max. Number of BU Boxes	3
Heating	(Max)	75°F (24°C)	Total Refrigerant Pipe Length	443-ft
	(Min)	-4°F (-20°C)	Max Refrigerant Piping Length to any Indoor Unit	230-ft
Power Supply			Min Refrigerant Piping Length to any Indoor Unit	10-ft
Normal Operational Voltage	208/230 V, 1 Phase, 60 Hz		Max Elevation between Indoor Units	50-ft
Voltage Range	187 - 253 V		Max Lift from Outdoor to Indoor Unit	98-ft
Main Power Wire Size	6 AWG		Max Drop from Outdoor to Indoor Unit	98-ft
Interconnecting Wire Size (Min.)	18 AWG			
MCA	30.0 A			
MOCP/Breaker Size	50 A			



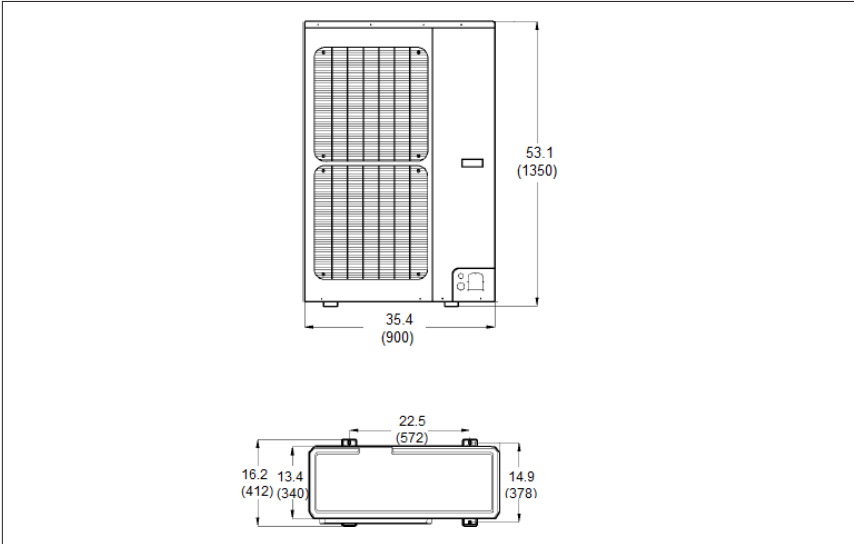


DIMENSIONAL SPECIFICATIONS: TM48H2O

48,000 BTUH MODEL

Model # TM48H2O 48,000 BTUH 230V

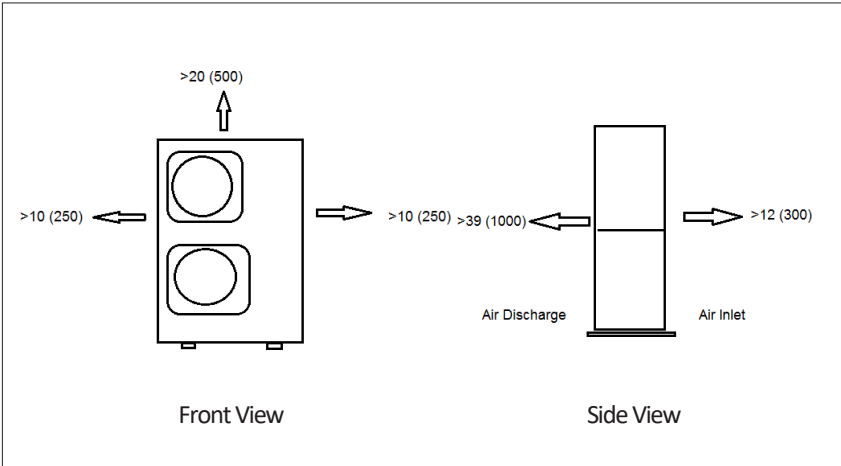
Units: inch (mm)



Net Weight	256 lbs
Shipping Weight	276 lbs

Liquid Line Port Size	3/8-in OD Flared
Suction/Gas Line Port Size	5/8-in OD Flared

MINIMUM SPACING REQUIREMENTS



- Notes:
1. Communication Cable minimum 18 AWG Type Stranded Copper Conductors THHN 600V Unshielded Wire
 2. Power wiring cable size must comply with applicable national and local codes.



EXTENDED RATINGS: TM48H2O

COOLING PERFORMANCE						
Outdoor Ambient Temperature (DB)	Indoor Entering Air Temperatures (DB) 50% RH					
	62 F		67 F		72 Fv	
	TC	SHC	TC	SHC	TC	SHC
25°F	51,830	41,059	54,215	42,740	56,352	44,780
35°F	50,990	41,010	53,535	41,780	55,648	43,020
45°F	49,859	39,843	52,555	40,834	54,523	42,279
55°F	47,930	38,995	51,892	41,919	52,965	41,219
65°F	48,150	38,555	52,730	42,710	53,160	40,819
75°F	47,520	37,540	50,620	40,265	53,150	43,520
85°F	46,330	39,000	49,255	40,390	52,760	42,200
95°F	45,620	35,665	47,800	37,162	49,196	38,234
105°F	39,900	33,295	42,250	35,716	43,020	37,895
115°F	35,220	30,253	36,320	32,235	36,960	33,825

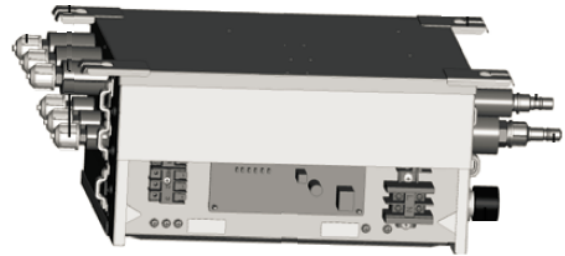
HEATING PERFORMANCE						
Outdoor Ambient Temperature (DB) (80% RH)	Indoor Entering Air Temperatures (DB)					
	65 F		70 F		75 F	
	TC	SHC	TC	SHC	TC	SHC
5°F	31,628	31,628	31,131	31,131	30,715	30,715
15°F	36,463	36,463	35,970	35,970	35,111	35,111
25°F	41,200	41,200	40,664	40,664	39,633	39,633
35°F	46,886	46,886	45,513	45,513	44,875	44,875
45°F	53,552	53,552	52,886	52,886	51,950	51,950
55°F	54,197	54,197	53,400	53,400	52,698	52,698
65°F	54,938	54,938	54,249	54,249	53,834	53,834

TC- Total Capacity (BtuH)
SHC- Sensible Capacity (BtuH)

BRANCH (BU) SPECIFICATIONS



1-Port In/2-Ports Out
Model no: FXA2A-D



1-Port In/3-Ports Out
Model no: FXA3A-D

Electrical

		FXA2A-D	FXA3A-D
No. of Indoor Units		2	3
Power Supply	volts	208/230v	208/230v
Rated Current	amps	3.15	3.15
MOCP	amps	15	15

Piping

		FXA2A-D	FXA3A-D
Max Equivalent Length	ft	60	60
(BU to last Indoor Unit)			

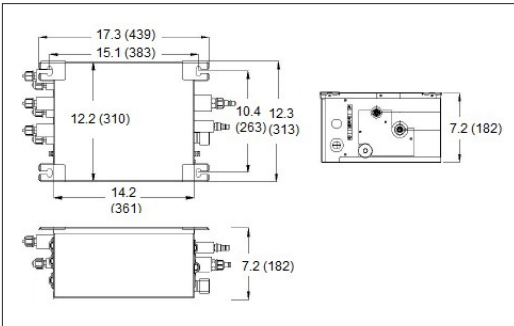
Notes:

1. Communication Cable minimum 18 AWG Type Stranded Copper Conductors THHN 600V Unshielded Wire
2. Power wiring cable size must comply with applicable national and local codes.

BRANCH (BU) BOX DIMENSIONAL SPECIFICATIONS

1-Port In/2-Ports Out Model no: FXA3A-D

Units: inch (mm)



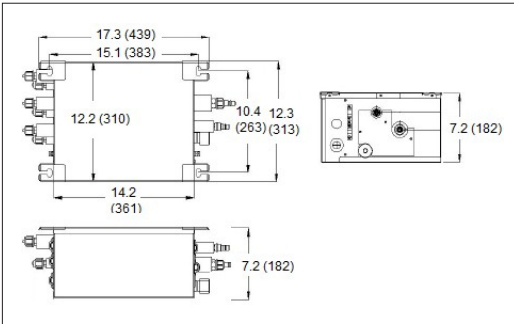
	Indoor Unit Side		Outdoor Unit Side ¹
	Port A ¹	Port B ¹	
Liquid Pipe	1/4	1/4	3/8
Gas Pipe	3/8	3/8	5/8

(1) Flare Fittings

Weight	
Net	Gross
12 lbs	16 lbs

1-Port In/3-Ports Out Model no: FXA3A-D

Units: inch (mm)

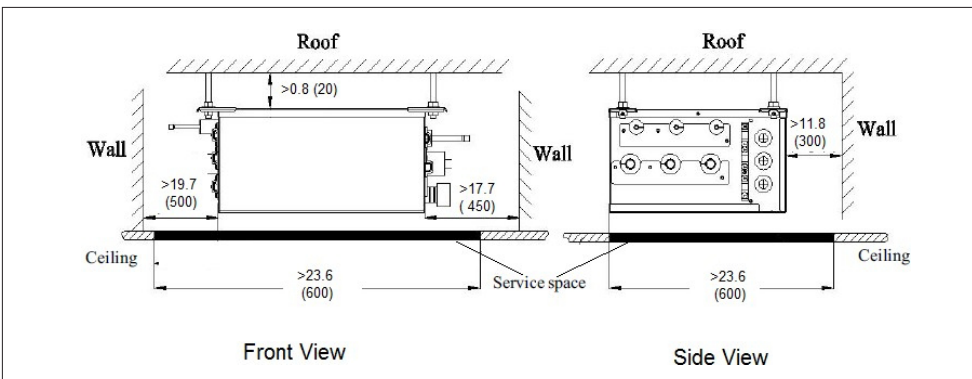


	Indoor Unit Side			Outdoor Unit Side ¹
	Port A ¹	Port B ¹	Port C ¹	
Liquid Pipe	1/4	1/4	1/4	3/8
Gas Pipe	3/8	3/8	3/8	5/8

(1) Flare Fittings

Weight	
Net	Gross
13 lbs	17 lbs

MINIMUM SPACING REQUIREMENTS



Notes:

1. Communication Cable minimum 18 AWG Type Stranded Copper Conductors THHN 600V Unshielded Wire
2. Power wiring cable size must comply with applicable national and local codes.



TYPICAL PIPING CONFIGURATION: TM48H20



INDOOR UNITS AND ACCESSORIES SELECTION: TM48H2O

Model Number & Description			
Ceiling Cassette	TM12HBKDI	12,000 BtuH	
	TM18HBKDI	18,000 BtuH	
	TM24HBKDI	24,000 BtuH	
Universal Floor/Ceiling	TM09HTDI	9,000 BtuH	
	TM12HTDI	12,000 BtuH	
	TM18HTDI	18,000 BtuH	
	TM24HTDI	24,000 BtuH	
Wall Mounted	TW09HQ2C2DI	9,000 BtuH	
	TW12HQ2C2DI	12,000 BtuH	
	TW18HQ2C2DI	18,000 BtuH	
	TW24HQ2C2DI	24,000 BtuH	
Slim Duct	TM09HFDI	9,000 BtuH	
	TM12HFDI	12,000 BtuH	
	TM18HFDI	18,000 BtuH	
	TM24HFDI	24,000 BtuH	
Mini -Console	TM09HTDI	9,000 BtuH	
	TM12HTDI	12,000 BtuH	
	TM18HTDI	18,000 BtuH	
Branch (BU) Boxes	FXA2A-D	1-Port In/2-Ports Out	
	FXA3A-D	1-Port In/3-Ports Out	
	FXA5A-D	1-Port In/5-Ports Out	
Copper Y-Branch	3/8 + 5/8 Copper Y-Branch	Liquid & Gas	
Connectors	(TO01A/A)	Connectors	