

TOSOT

SUPER HEAT / SUPER COOL

SMART TECH BUILT FOR BEST HOUSES ECOLOGY

18,000 BTU / H WALL MOUNTED HEAT- PUMP SYSTEM

SUBMITTAL DATA: TW18HXP2A1D

Job Name	Location	Date
Purchaser	Engineer	
Submitted To	For	<input type="checkbox"/> Reference <input type="checkbox"/> Approval <input type="checkbox"/> Construction
Unit Designation	Schedule No.	

**AHRI CERTIFIED REF
NO: 211177522**



SYSTEM RATINGS		INDOOR UNIT DATA		
Cooling		Fan Motor		
Rated Capacity at 95° F	18,000 BTU/H	Type	Cross-flow	
Capacity Range	5,118-21,154 BTU/H	Output Power	45W	
Power Input	1,384 W	FLA	0.35A	
Power Input (Min/Max)	130/2,300 W	Fan Speeds	7	
SEER / SEER2	23 / 23.5	Air flow (Min/Max)	324/589 CFM	
EER / EER2	13 / 13	Sound Pressure Level		
Heating		Cooling (Low/High)	29/49 dB(A)	
Rated Capacity at 47° F	18,000 BTU/H	Heating (Low/High)	29/49 dB(A)	
Capacity Range	5,118-21,154 BTU/H	Dehumidification	3.80 pt/hr	
Power Input	1,384 W	OUTDOOR UNIT DATA		
Power Input (Min/Max)	250 / 2,350 W	Compressor		
HSPF/HSPF2	11.0 / 9	Type	DC Inverter Driven, Rotary	
COP	3.81	RLA	9.25 A	
		Fan Motor		
		Output Power	60 W	
		RLA	0.9 A	
Operating Range		Sound Pressure Level		
Cooling	(Max)	122°F (50°C)	59 dB(A)	
	(Min)	-20°F (-29°C)		
Heating	(Max)	86°F (30°C)	Refrigerant Piping Data	
	(Min)	-22°F (-30°C)	Liquid Pipe Size (OD)	1/4-in
		Gas Pipe Size (OD)	5/8-in	
Power Supply		Connection Method	Flared	
Normal Operational Voltage	208/230 V, 1 Phase, 60 Hz	Factory Charge	R410A/54.7 oz	
Voltage Range	187 - 253 V	Additional Charge	0.5 oz/ft	
Main Power Wire Size	14-2 AWG	Pre-Charge Length	24.6-ft	
Interconnecting Cable Wire Size	14-4 AWG	MAX Refrigerant Pipe Length	82.0-ft	
MCA	14 A	MIN Refrigerant Pipe Length	10-ft	
MOCF	20 A	MAX Refrigerant Pipe Height Difference	32.8-ft	

GENERAL FEATURES

- Easy Installation and cleaning
- Low Ambient Heating (down to -22° F)
- High Ambient Cooling (up to - 122° F)
- WiFi Included
- 3D Airoutlet
- Wired Controller (Sold Separately) XK19
- 7 Indoor Fan Speeds
- Copper Tube/Aluminum Fins w/Acrylic Resin Anti-Corrosion both inside and out
- 5 Steps for air purification
- I-FEEL Function

TOSOT.COM





FEATURES & FUNCTION SUMMARY: TW18HXP2A1D

SYSTEM FEATURES	
Ultra Low Frequency Torque Control	Yes
Power Factor Correction	Yes
Compressor Type	High Eff. Rotary
Refrigerant Type	R410A
Basepan With Electric Heater	YES
Compressor With Electric Heater	YES
Indoor & Outdoor Fin Coating (Blue)	Acrylic Resin/Anti-Corrosion
Intelligent Defrosting	YES
Intelligent Preheating	YES
Low Voltage Startup	YES
Memory/Power Failure Recovery	YES
Self Diagnosis	YES
Wired Controller Interface	YES
WIFI Included	YES
Indoor Fan Type	Crossflow
Multi Fan Speeds	7 Speeds
Indoor Unit Display	YES
Auxiliary Electrical Heater	NO
Ventilation (Outdoor Air)	NO
REMOTE CONTROLLER FUNCTIONS	
Auto Mode	YES
Auto Fan	YES
Auto Swing (Horizontal Auto Swing)	NO
Auto Swing - 180°(Vertical Auto Swing)	YES
Clock on Remote Controller	YES
Dry Mode	YES
Dry Anti-Mildew (X-Fan) Mode	YES
Energy Saving Mode	NO
Dirty Filter Alert	NO
Fan Speed Control (7 speeds)	YES
I Feel Function	YES
Privacy Lock on Remote Controller	YES
Quiet Mode	YES
Room Temperature Display	YES
Sleep Mode	YES
3 Sleep Modes Options	YES
Timer Mode	YES
Turbo Mode	YES
Display On/Off Control	YES
Freeze Guard Mode	YES
Power Failure Mode	YES



EXTENDED RATINGS: TW18HXP2A1D

HEATING PERFORMANCE

Outdoor Ambient Temperature (DB)	Return Air Temperature												
	70°F (DB) / 59°F (WB)			75°F (DB) / 63°F (WB)			80°F (DB) / 67°F (WB)			90°F (DB) / 73°F (WB)			
	TC (Btu/h)	COP (W/W)	Power Input (W)	TC (Btu/h)	COP (W/W)	SHR Power Input (W)	TC (Btu/h)	COP (W/W)	Power Input (W)	TC (Btu/h)	COP (W/W)	SHR Power Input (W)	
MAX OUTPUT*	-22°F	9,916	1.68	1,877	9,618	1.61	1,906	9,137	1.49	1,953	9,009	1.45	1,975
	-13°F	10,896	1.81	1,916	10,570	1.73	1,945	10,041	1.60	1,993	9,901	1.56	2,015
	-4°F	12,107	1.97	1,955	11,744	1.88	1,984	11,157	1.75	2,034	11,001	1.70	2,056
	0°F	13,160	2.13	1,965	12,765	2.04	1,994	12,127	1.89	2,044	11,957	1.84	2,066
	6°F	14,000	2.25	1,985	13,580	2.15	2,014	12,901	1.99	2,065	12,720	1.94	2,087
	10°F	14,527	2.32	1,995	14,091	2.22	2,024	13,386	2.05	2,075	13,199	2.00	2,098
	16°F	14,976	2.37	2,015	14,527	2.26	2,045	13,800	2.10	2,096	13,607	2.05	2,119
	19°F	15,600	2.44	2,035	15,132	2.33	2,066	14,375	2.16	2,117	14,174	2.11	2,140
	24°F	17,424	2.72	2,040	16,901	2.60	2,071	16,056	2.41	2,122	15,831	2.35	2,146
	32°F	18,100	2.78	2,070	17,557	2.66	2,101	16,679	2.47	2,154	16,446	2.41	2,177
	41°F	20,731	3.39	1,948	20,109	3.24	1,978	19,104	3.00	2,027	18,836	2.93	2,049
	43°F	21,154	3.42	1,968	20,519	3.27	1,998	19,493	3.03	2,047	19,221	2.96	2,070
	47°F	18,000	4.14	1,384	17,460	3.96	1,405	16,587	3.67	1,440	16,355	3.58	1,456
	53°F	18,900	3.91	1,540	18,333	3.74	1,563	17,416	3.46	1,602	17,173	3.38	1,620
	59°F	17,010	4.04	1,340	16,500	3.86	1,360	15,675	3.58	1,394	15,455	3.49	1,409
	64°F	16,330	4.22	1,233	15,840	4.03	1,251	15,048	3.74	1,282	14,837	3.64	1,296
70°F	11,757	4.40	851	11,405	4.21	863	10,834	3.90	885	10,683	3.80	895	
75°F	11,405	4.74	765	11,062	4.53	777	10,509	4.20	796	10,362	4.10	805	
78°F	10,492	4.60	727	10,177	4.39	738	9,669	4.07	757	9,533	3.97	765	

*Maximum Output values are not based on AHRI test conditions

LEGEND:	W - Watts
	DB - Dry Bulb
	TC - Total Capacity
	SC - Sensible Capacity
	SHR - Sensible Heat Ratio
	COP - Coefficient of Performance

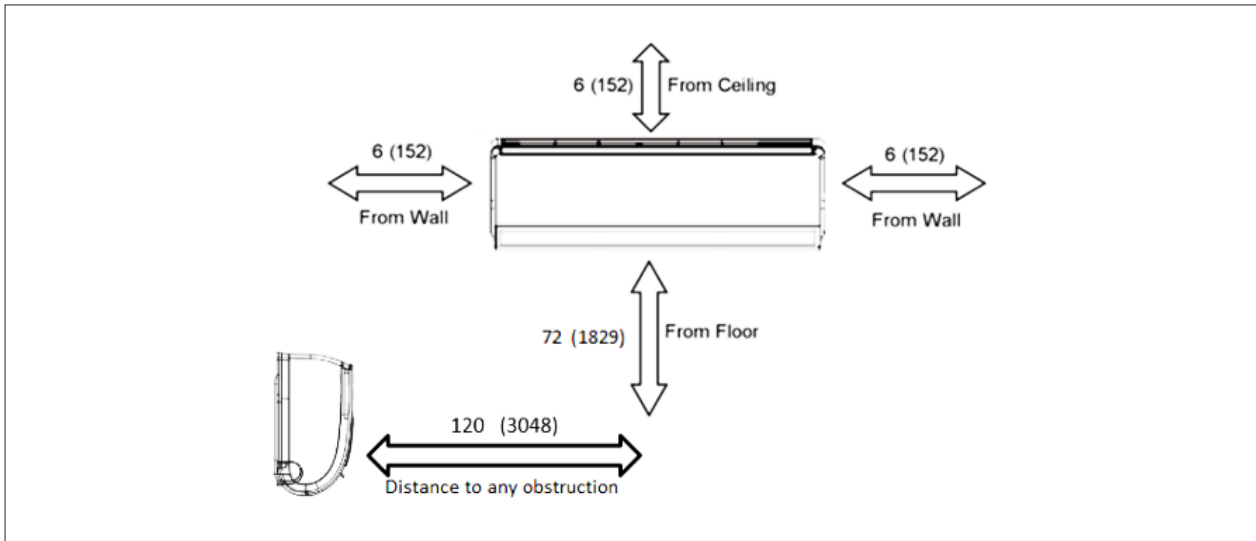


DIMENSIONAL SPECIFICATIONS: TW18HXP2A1D

MINIMUM SPACING REQUIREMENTS

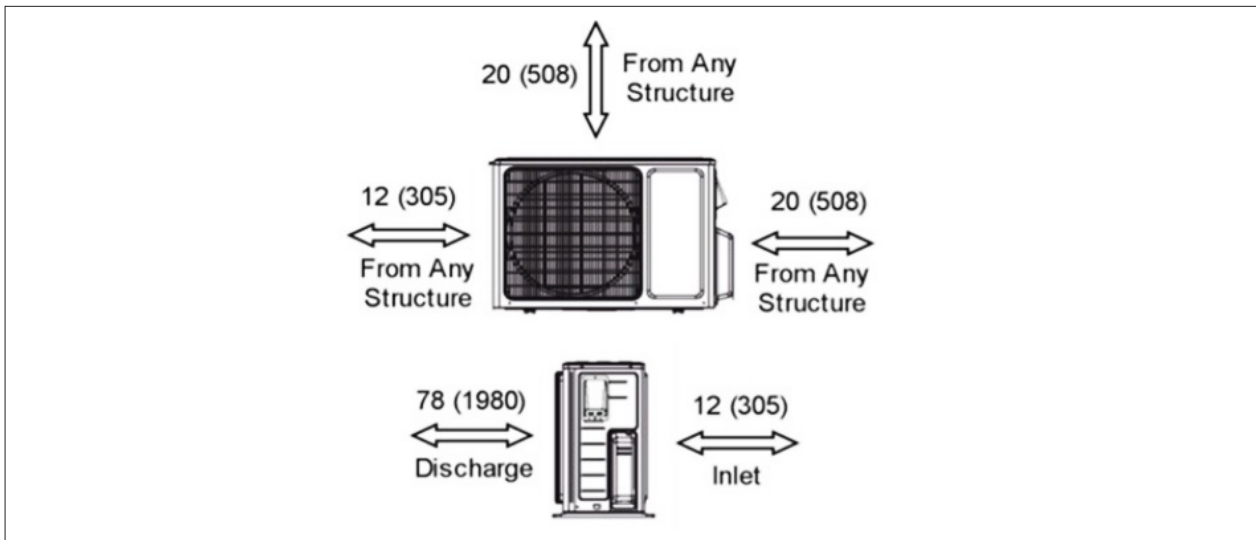
INDOOR

Units: inch (mm)



MINIMUM OUTDOOR CLEARANCES

Units: inch (mm)



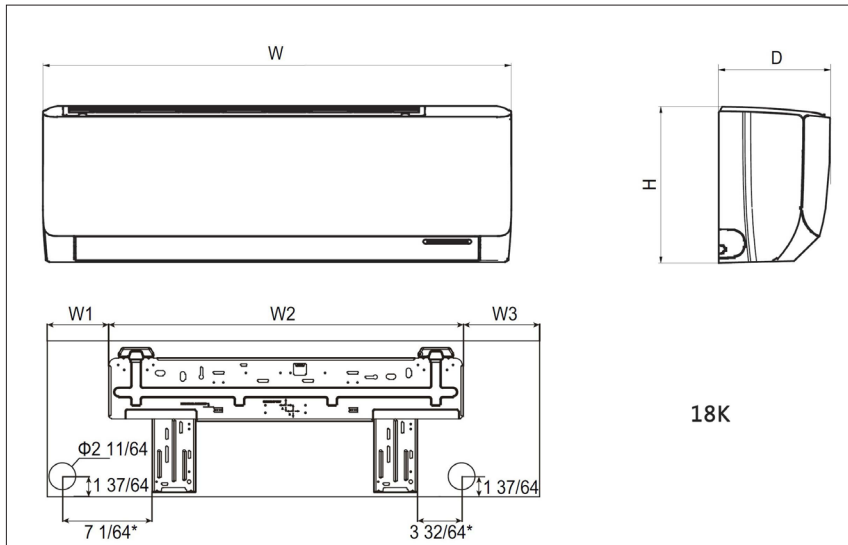
TOSOT

DIMENSIONAL SPECIFICATIONS: TW18HXP2A1D

INDOOR UNIT DIMENSIONS

Model No: TW18HXP2A1DI

Units: inch



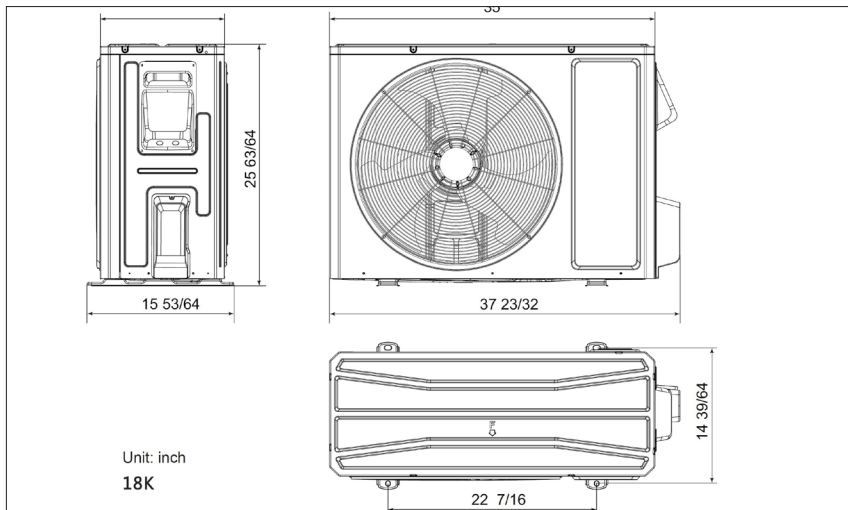
Dimensions	
D	8 45/64
H	12 1/4
W	38 21/32
W1	4 53/64
W2	27 55/64
W3	5 63/64

Weight (Net/Shipping) 28.7 / 35.3 LBS

Liquid Line Valve	1/4-in OD Flared
Gas Line Valve	5/8-in OD Flared
Drain Connector	5/8-in OD

OUTDOOR UNIT DIMENSIONS

Model No: TW18HXP2A1DO



Weight (Net/Shipping) 98.1 /107 LBS

Liquid Line Valve	1/4-in OD Flared
Gas Line Valve	5/8-in OD Flared

Notes:

1. Recommended Interconnecting Cable Type 14 AWG 4 Stranded Copper Conductors Wire.
2. Power wiring cable size must comply with applicable national and local codes.
3. Test conditions are based on AHRI 210/240.

TOSOT.COM

