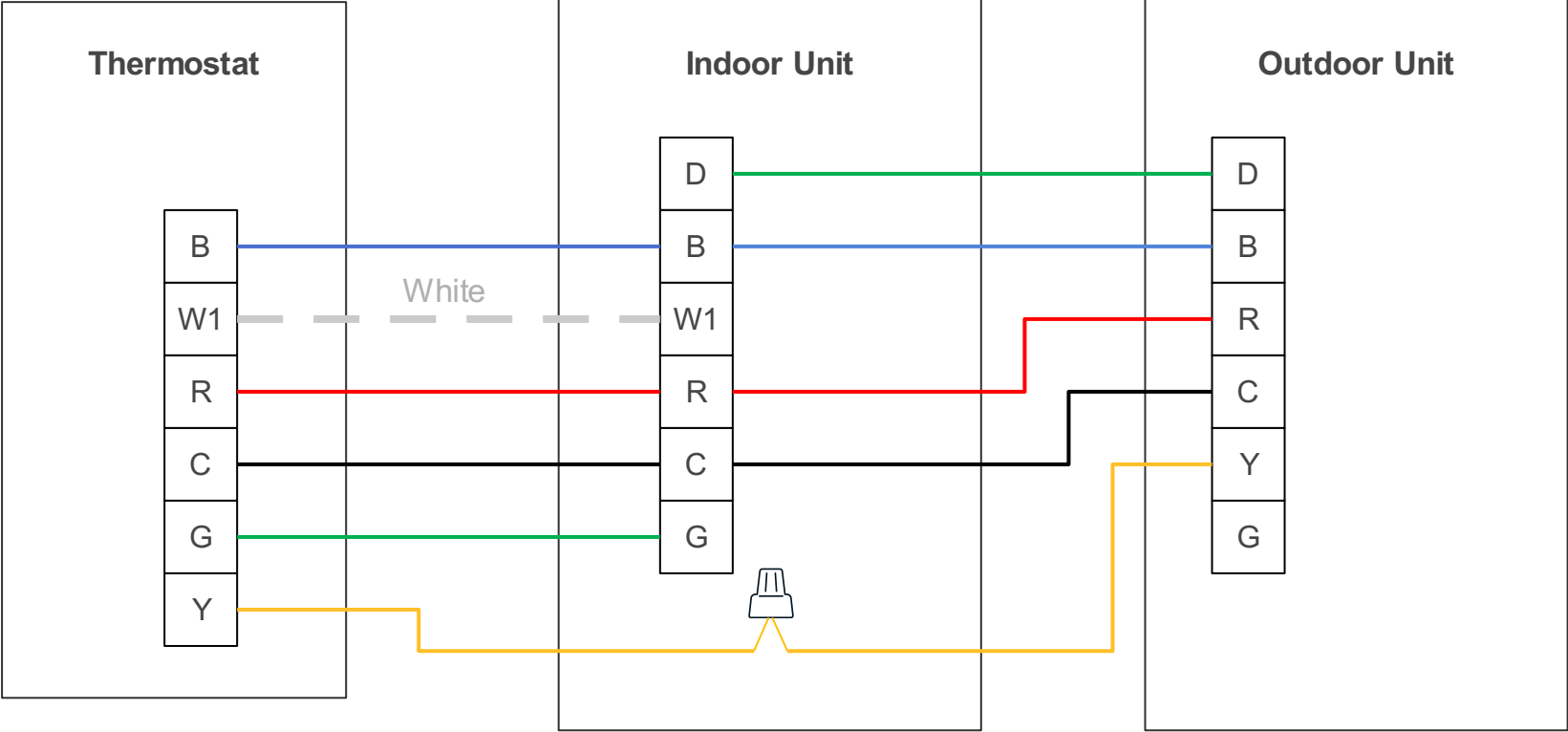
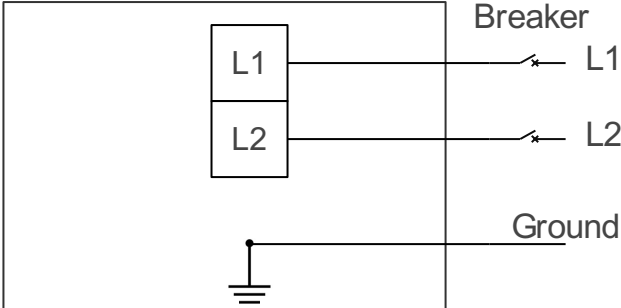
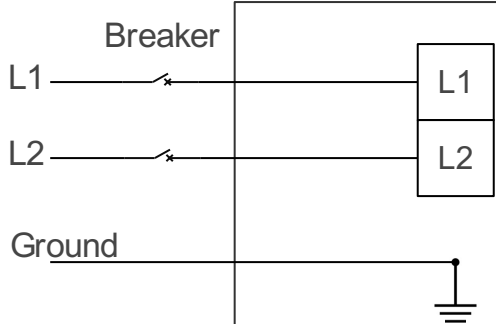


208V / 230V
1PH / 60HZ

230V / 1PH /
60HZ
208V Require
an adjustment
transformer
terminal



If no electrical
resistor is
installed, do not
wire W1