

TOSOT

ULTRA HEAT / ULTRA COOL

SUPERIOR PERFORMANCE IN EXTREME TEMPERATURES

18000 BTU / H WALL MOUNTED HEAT- PUMP SYSTEM

SUBMITTAL DATA: TW18HQ3D6D

Job Name	Location	Date
Purchaser	Engineer	
Submitted To	For	<input type="checkbox"/> Reference <input type="checkbox"/> Approval <input type="checkbox"/> Construction
Unit Designation	Schedule No.	

**AHRI CERTIFIED REF
NO: 10062018**



Sold Separately

YAG1FB2F (Included, ONLY ONE)

GENERAL FEATURES

- Variable Speed (Inverter) Two-Stage Compressor
- Low Ambient Heating (down to -22° F)
- High Ambient Cooling (up to - 129° F)
- WiFi Included
- Wireless Remote with LCD Display (included)
- Wired Controller (Sold Separately) XE71
- 7 Indoor Fan Speeds /4 Way Airflow Operation
- Copper Tube/Aluminum Fins w/Acrylic Resin Anti-Corrosion both inside and out
- I-FEEL Function



SYSTEM RATINGS		INDOOR UNIT DATA		
Cooling		Fan Motor		
Rated Capacity	18,000 BTU/H	Type	Cross-flow	
Capacity Range	4,094 -21,837 BTU/H	Output Power	60W	
Power Input	1700 W	FLA	0.24A	
Power Input (Min/Max)	450/3700 W	Air flow	(Low/High) 353/736 CFM	
SEER	24.5	Air Throw	(Max) 29.5 ft	
EER	13.5	Sound Pressure Levels for All Settings		
Heating at 47° F		Cooling & Heating	51/48/45/42/39/36/34 dB(A)	
Rated Capacity	18,000 BTU/H	Dehumidification	3.8 pt/hr	
Capacity Range	4,094 -24,566 BTU/H	OUTDOOR UNIT DATA		
Power Input	1500 W	Compressor		
Power Input (Min/Max)	350/2500 W	Type	DC Inverter Driven 2-Stage Rotary	
HSPF	12.0	RLA	15.5 A	
COP	3.5	Fan Motor		
Heating at 17° F		Output Power	90 W	
Rated Capacity	14,200 BTU/H	RLA	0.65 A	
Operating Range		Sound Pressure Level		
Cooling	(Max)	129°F (54°C)	59 dB(A)	
	(Min)	0°F (-18°C)		
Heating	(Max)	75°F (24°C)	Refrigerant Piping Data	
	(Min)	-22°F (-30°C)	Gas Pipe Size (OD)	5/8-in
Power Supply		Liquid Pipe Size (OD)	1/4-in	
Normal Operational Voltage	208/230 V, 1 Phase, 60 Hz	Connection Method	Flared	
Voltage Range	187 - 253 V	Factory Charge	R410A/70.4 oz	
Main Power Wire Size	12-2 AWG	Additional Charge	0.5 oz/ft	
Interconnecting Cable Wire Size	14-4 AWG	Pre-Charge Length	25-ft	
MCA	22 A	MAX Refrigerant Pipe Length	131-ft	
MOCP/Breaker Size	30 A	MIN Refrigerant Pipe Length	10-ft	
		Pipe Elevation	66-ft	

TOSOT.COM





FEATURES & FUNCTION SUMMARY: TW18HQ3D6D

SYSTEM FEATURES	
Inverter Type	G10
Ultra Low Frequency Torque Control	Yes
Power Factor Correction	Yes
Compressor Type	High Eff. Two Stage Rotary
Refrigerant Type	R410A
Basepan With Electric Heater	YES
Compressor With Electric Heater	YES
Indoor & Outdoor Fin Coating	Acrylic Resin/Anti-Corrosion
Intelligent Defrosting	YES
Intelligent Preheating	YES
Low Voltage Startup	YES
Memory/Power Failure Recovery	YES
Self Diagnosis	YES
Wired Controller Interface	NO
WIFI Included	YES
Indoor Fan Type	Crossflow
Indoor Unit Display	YES
Auxiliary Electrical Heater	NO
Ventilation (Outdoor Air)	NO
Ventilation (Outdoor Air)	NO
REMOTE CONTROLLER FUNCTIONS	
Auto Mode	YES
Auto Fan	YES
Auto Swing (Horizontal Auto Swing)	YES
Auto Swing - 180°(Vertical Auto Swing)	YES
Clock on Remote Controller	YES
Dry Mode	YES
Dry Anti-Mildew (X-Fan) Mode	YES
Energy Saving Mode	NO
Dirty Filter Alert	NO
Fan Speed Control (7 speeds)	YES
I Feel Function	YES
Privacy Lock on Remote Controller	YES
Quiet Mode	YES
Room Temperature Display	NO
Sleep Mode	YES
4 Sleep Modes Options	YES
Timer Mode	YES
Turbo Mode	YES
Display On/Off Control	YES
Freeze Guard Mode	YES
Power Failure Mode	YES



EXTENDED RATINGS: TW18HQ3D6D

ULTRA COOL

ULTRA HEAT

COOLING PERFORMANCE							HEATING PERFORMANCE				
Outdoor Ambient Temperature (DB)	Return Air Temperature					Outdoor Ambient Temperature (DB)	Return Air Temperature				
	80° F (DB)						70° F (DB)				
	TC (Btu/h)	SHR	EER	Power Input (W)	SHR %		TC (Btu/h)	COP	Power Input (W)		
MAX OUTPUT	0°F	7146	5288	2.82	742	74.0%	MAX OUTPUT	-22°F	12126	1.32	2687
	5°F	7684	5763	2.85	790	75.0%		-20°F	12764	1.34	2799
	10°F	8263	6197	2.88	840	75.0%		-15°F	13436	1.37	2870
	15°F	8884	6752	2.91	894	76.0%		-10°F	13996	1.40	2929
	20°F	9553	7260	2.94	951	76.0%		-5°F	15049	1.49	2959
	25°F	10163	7825	2.94	1011	77.0%		0°F	17705	1.72	3019
	30°F	10812	8325	2.94	1076	77.0%		5°F	18637	1.78	3065
	35°F	11502	8971	2.98	1133	78.0%		10°F	19147	1.81	3095
	40°F	12236	9544	3.01	1192	78.0%		15°F	19739	1.95	2965
	45°F	13017	10283	3.04	1255	79.0%		17°F	20142	2.03	2915
	50°F	13848	10940	3.07	1321	79.0%		20°F	20917	2.12	2885
	55°F	14577	11661	3.10	1376	80.0%		25°F	21564	2.25	2815
	60°F	15507	12406	3.14	1449	80.0%		30°F	22230	2.32	2805
	65°F	16497	13362	3.20	1509	81.0%		35°F	22918	2.40	2795
	70°F	17931	14524	3.34	1572	81.0%		40°F	24468	2.62	2739
	75°F	19705	16158	3.42	1690	82.0%		45°F	27187	3.29	2425
	80°F	20526	16831	3.45	1742	82.0%		47°F	28320	3.39	2449
	85°F	21836	18342	3.52	1815	84.0%		50°F	28603	3.36	2498
	90°F	19918	17120	3.59	1625	86.0%		55°F	23455	3.44	1998
	95°F	18000	15480	3.97	1330	86.0%		60°F	21578	3.09	2048
100°F	18918	15134	3.47	1596	80.0%	65°F	20499	3.06	1966		
105°F	19958	14968	3.05	1915	75.0%	70°F	18449	3.02	1789		
110°F	21410	16653	2.94	2134	77.8%	75°F	16604	2.96	1646		
115°F	20125	15497	2.63	2247	77.0%						
120°F	18515	14257	2.20	2472	77.0%						
125°F	16664	12831	2.06	2373	77.0%						
129°F	14164	10906	1.84	2254	77.0%						

LEGEND:	W - Watts
	DB - Dry Bulb
	TC - Total Capacity
	SHR - Sensible Heat Ratio
	COP - Coefficient of Performance

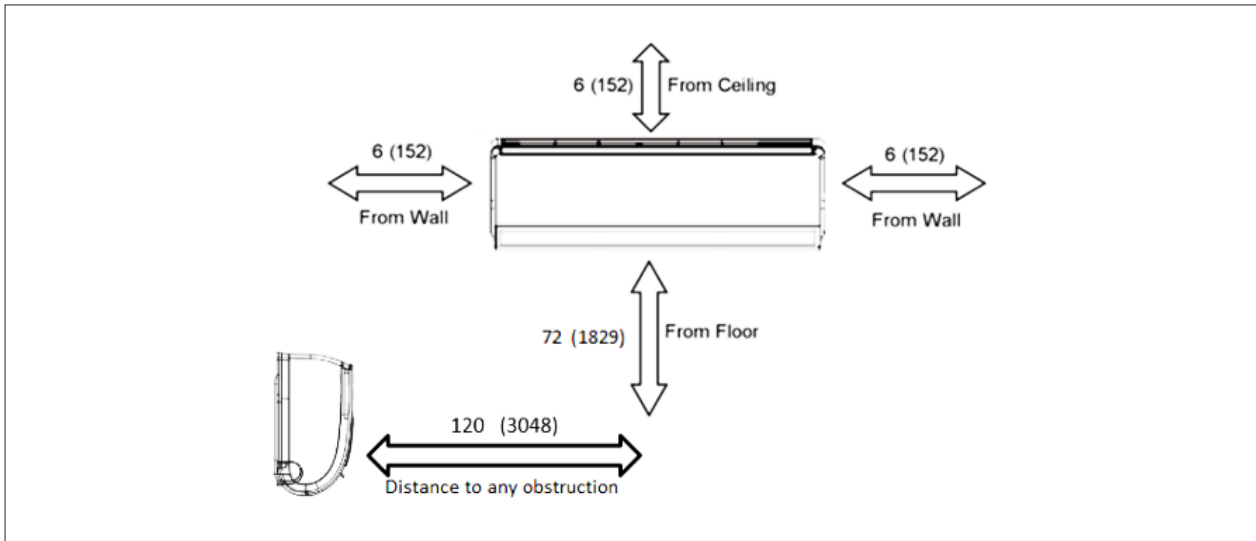


DIMENSIONAL SPECIFICATIONS: TW18HQ3D6D

MINIMUM SPACING REQUIREMENTS

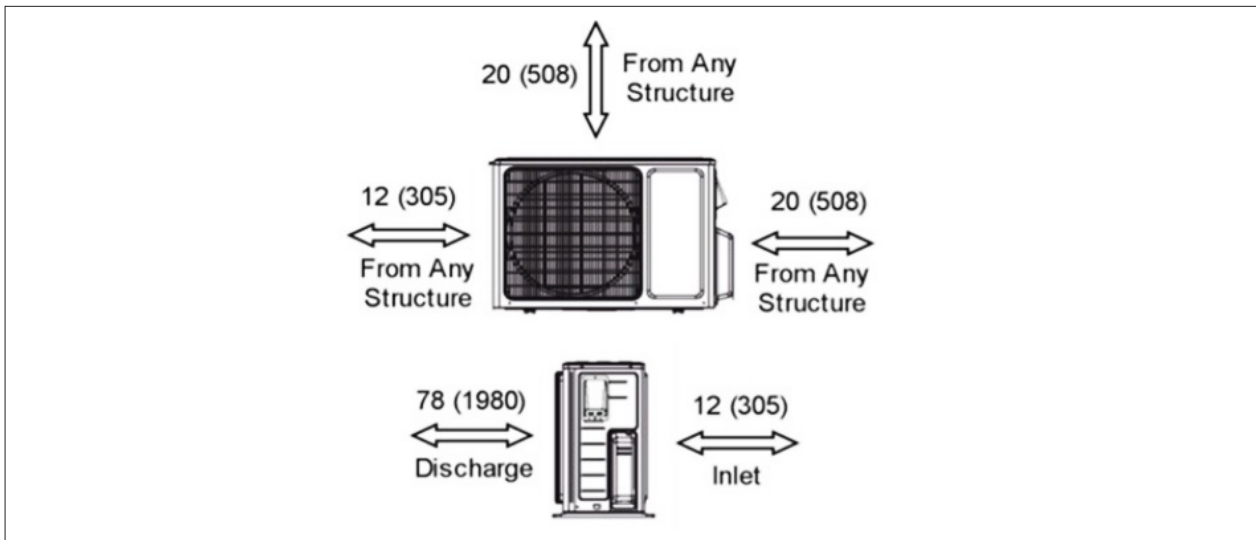
INDOOR

Units: inch (mm)



MINIMUM OUTDOOR CLEARANCES

Units: inch (mm)



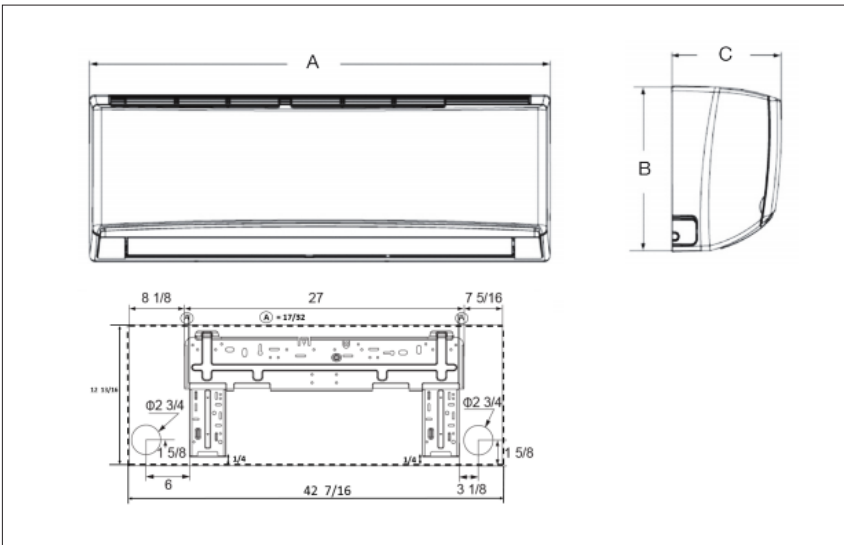
TOSOT

DIMENSIONAL SPECIFICATIONS: TW18HQ3D6D

INDOOR UNIT DIMENSIONS

Model No: TW18HQ3D6DI

Units: inch



Dimensions	
A	44 1/4
B	13
C	9 3/4

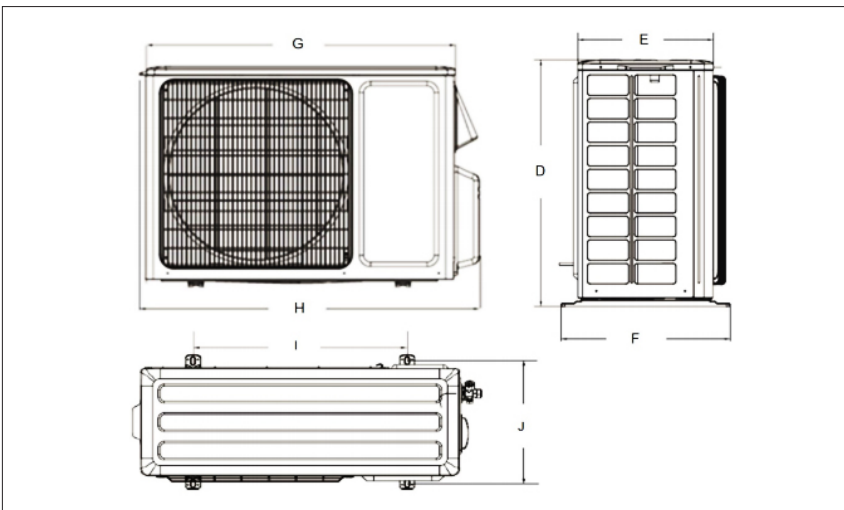
Weight (Net/Shipping) 36 / 44 LBS

Liquid Line Valve	1/4-in OD Flared
Gas Line Valve	5/8-in OD Flared
Drain Connector	5/8-in OD

OUTDOOR UNIT DIMENSIONS

Model No: TW18HQ3D6DO

Units: inch



Dimensions	
D	31 3/8
E	14 5/8
F	17
G	36 1/4
H	39 3/8
I	24
J	15 3/8

Weight (Net/Shipping) 141 /151 LBS

Liquid Line Valve	1/4-in OD Flared
Gas Line Valve	5/8-in OD Flared

Notes:

1. Recommended Interconnecting Cable Type 14 AWG 4 Stranded Copper Conductors Wire.
2. Power wiring cable size must comply with applicable national and local codes.
3. Test conditions are based on AHRI 210/240.

TOSOT.COM

