



56,000 BTUH SUPER +MULTI-PORT HEAT PUMP SYSTEM

SUBMITTAL DATA: TM56H2O

Job Name	Location	Date
Purchaser	Engineer	
Submitted To	For	<input type="checkbox"/> Reference <input type="checkbox"/> Approval <input type="checkbox"/> Construction
Unit Designation	Schedule No.	

**AHRI CERTIFIED REF NO:
10087528 / 10087529**



GENERAL FEATURES

- Operates up to 8 Indoor Units
- G10 DC Inverter Technology
- 2-Way, 3-Way&5-way Branch Units (Sold Separately)
- Acrylic Resin / Anti-Corrosion Coil Protection
- Intelligent Defrost
- Auto Restart on Power Outages

SYSTEM RATINGS			OUTDOOR UNIT DATA	
Cooling			Compressor	
Rated Capacity	53,000 BTU/H		Type	DC Inverter Driven Rotary
Capacity Range	3,412-61,416 BTU/H		RLA	23.0 A
Power Input (Max)	5,600 W		Fan Motor	
SEER	16.0		Output Power	2 x 1/6HP
EER	9.5		FLA	2 x 1.0 A
Heating at 47° F			Air Flow (Max)	4,120 CFM
Rated Capacity	61,500 BTU/H		Fan Motor	
Capacity Range	4,094-63,122 BTU/H		Cooling	57 db(A)
Power Input (Max)	5,200 W		Heating	57 db(A)
HSPF	8.2		REFRIGERANT PIPING DATA	
COP	3.5		Max. Number of Indoor Units	9
Heating at 17° F			Connection Method	Flared
Rated Capacity	43,500 BTU/H		Refrigerant Type	R410A
Capacity Range	51,901 BTU/H		Refrigerant Charge	174.6 oz
Operating Range			Air Flow (Max)Additional Charge Per Line Length	0.54-oz/ft
Cooling	(Max)	118°F (48°C)	Factory Charge for Total Line Length	98-ft
	(Min)	5°F (-15°C)	Max. Number of BU Boxes	3
Heating	(Max)	75°F (24°C)	Total Refrigerant Pipe Length	476-ft
	(Min)	-4°F (-20°C)	Max Refrigerant Piping Length to any Indoor Unit	230-ft
Power Supply			Min Refrigerant Piping Length to any Indoor Unit	10-ft
Normal Operational Voltage	208/230 V, 1 Phase, 60 Hz		Max Elevation between Indoor Units	50-ft
Voltage Range	187 - 253 V		Max Lift from Outdoor to Indoor Unit	98-ft
Main Power Wire Size	8 AWG		Max Drop from Outdoor to Indoor Unit	98-ft
Interconnecting Wire Size (Min.)	18 AWG			
MCA	30.0 A			
MOCP/Breaker Size	50 A			

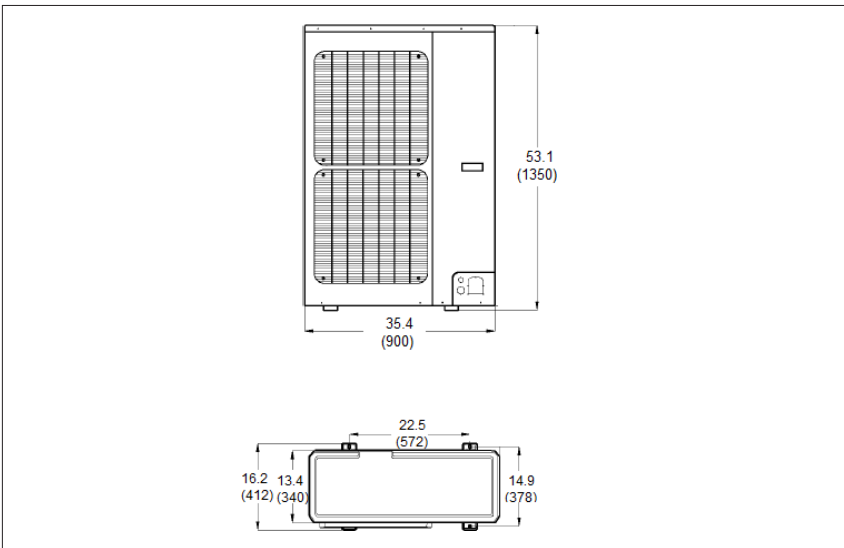


DIMENSIONAL SPECIFICATIONS: TM56H2O

56,000 BTUH MODEL

Model # TM56H2O 56,000 BTUH 230V

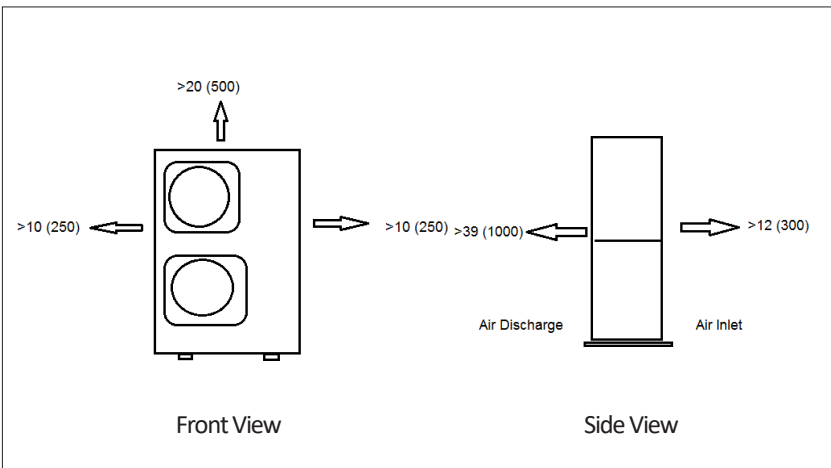
Units: inch (mm)



Net Weight	256 lbs
Shipping Weight	276 lbs

Liquid Line Port Size	3/8-in OD Flared
Suction/Gas Line Port Size	5/8-in OD Flared

MINIMUM SPACING REQUIREMENTS



Notes:

1. Communication Cable minimum 18 AWG Type Stranded Copper Conductors THHN 600V Unshielded Wire
2. Power wiring cable size must comply with applicable national and local codes.



EXTENDED RATINGS: TM56H20

COOLING PERFORMANCE						
Outdoor Ambient Temperature (DB)	Indoor Entering Air Temperatures (DB) 50% RH					
	62 F		67 F		72 Fv	
	TC	SHC	TC	SHC	TC	SHC
25°F	55,212	46,540	58,192	48,511	59,860	49,939
35°F	54,292	45,497	57,216	47,388	58,704	48,828
45°F	53,716	43,810	56,888	46,275	57,980	47,276
55°F	53,010	43,065	56,550	45,199	57,310	46,728
65°F	55,525	44,035	58,780	47,503	59,600	49,258
75°F	54,840	43,937	57,120	45,836	58,824	48,325
85°F	53,200	42,125	55,786	43,424	57,600	47,063
95°F	51,200	41,723	52,000	43,960	53,760	44,865
105°F	46,290	38,582	47,912	41,254	48,600	42,642
115°F	40,200	36,357	41,200	37,512	41,900	38,441

HEATING PERFORMANCE						
Outdoor Ambient Temperature (DB) (80% RH)	Indoor Entering Air Temperatures (DB)					
	65 F		70 F		75 F	
	TC	SHC	TC	SHC	TC	SHC
5°F	33,429	33,429	32,776	32,776	31,973	31,973
15°F	43,422	43,422	42,867	42,867	42,164	42,164
25°F	47,988	47,988	47,384	47,384	46,857	46,857
35°F	55,286	55,286	54,491	54,491	53,876	53,876
45°F	60,759	60,759	59,710	59,710	58,913	58,913
55°F	62,118	62,118	61,235	61,235	60,690	60,690
65°F	62,611	62,611	62,173	62,173	61,749	61,749

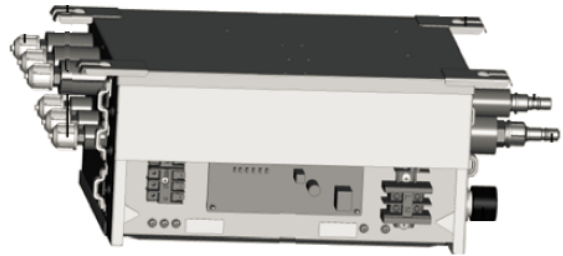
TC- Total Capacity (BtuH)

SHC- Sensible Capacity (BtuH)

BRANCH (BU) SPECIFICATIONS



1-Port In/2-Ports Out
Model no: FXA2A-D



1-Port In/3-Ports Out
Model no: FXA3A-D

Electrical

		FXA2A-D	FXA3A-D
No. of Indoor Units		2	3
Power Supply	volts	208/230v	208/230v
Rated Current	amps	3.15	3.15
MOCP	amps	15	15

Piping

		FXA2A-D	FXA3A-D
Max Equivalent Length	ft	60	60
(BU to last Indoor Unit)			

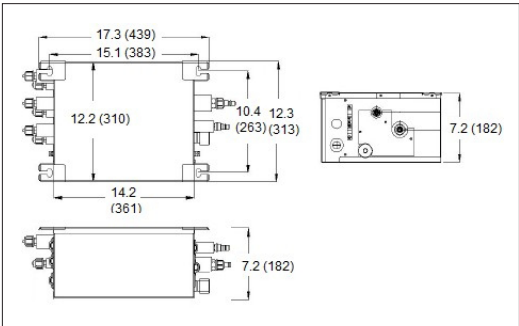
Notes:

1. Communication Cable minimum 18 AWG Type Stranded Copper Conductors THHN 600V Unshielded Wire
2. Power wiring cable size must comply with applicable national and local codes.

BRANCH (BU) BOX DIMENSIONAL SPECIFICATIONS

1-Port In/2-Ports Out Model no: FXA3A-D

Units: inch (mm)



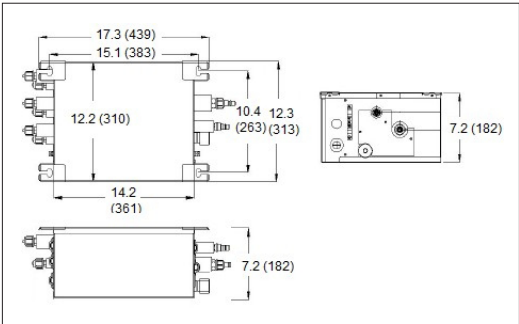
	Indoor Unit Side		Outdoor Unit Side ¹
	Port A ¹	Port B ¹	
Liquid Pipe	1/4	1/4	3/8
Gas Pipe	3/8	3/8	5/8

(1) Flare Fittings

Weight	
Net	Gross
12 lbs	16 lbs

1-Port In/3-Ports Out Model no: FXA3A-D

Units: inch (mm)

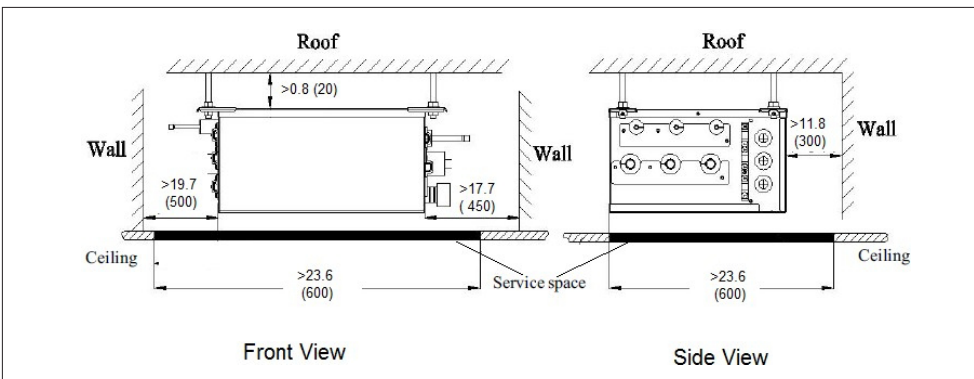


	Indoor Unit Side			Outdoor Unit Side ¹
	Port A ¹	Port B ¹	Port C ¹	
Liquid Pipe	1/4	1/4	1/4	3/8
Gas Pipe	3/8	3/8	3/8	5/8

(1) Flare Fittings

Weight	
Net	Gross
13 lbs	17 lbs

MINIMUM SPACING REQUIREMENTS



Notes:

1. Communication Cable minimum 18 AWG Type Stranded Copper Conductors THHN 600V Unshielded Wire
2. Power wiring cable size must comply with applicable national and local codes.



TYPICAL PIPING CONFIGURATION: TM56H2O



INDOOR UNITS AND ACCESSORIES SELECTION: TM56H2O

Model Number & Description			
Ceiling Cassette	TM12HBKDI	12,000 BtuH	
	TM18HBKDI	18,000 BtuH	
	TM24HBKDI	24,000 BtuH	
Universal Floor/Ceiling	TM09HTDI	9,000 BtuH	
	TM12HTDI	12,000 BtuH	
	TM18HTDI	18,000 BtuH	
	TM24HTDI	24,000 BtuH	
Wall Mounted	TW09HQ2C2DI	9,000 BtuH	
	TW12HQ2C2DI	12,000 BtuH	
	TW18HQ2C2DI	18,000 BtuH	
	TW24HQ2C2DI	24,000 BtuH	
Slim Duct	TM09HFDI	9,000 BtuH	
	TM12HFDI	12,000 BtuH	
	TM18HFDI	18,000 BtuH	
	TM24HFDI	24,000 BtuH	
Mini -Console	TM09HTDI	9,000 BtuH	
	TM12HTDI	12,000 BtuH	
	TM18HTDI	18,000 BtuH	
Branch (BU) Boxes	FXA2A-D	1-Port In/2-Ports Out	
	FXA3A-D	1-Port In/3-Ports Out	
	FXA5A-D	1-Port In/5-Ports Out	
Copper Y-Branch	3/8 + 5/8 Copper Y-Branch	Liquid & Gas	
Connectors	(TO01A/A)	Connectors	