

TOSOT

FOR USE WITH TOSOT MULTI ZONE OD UNITS

12000 BTU / H (208/230V) WALL MOUNTED HEAT PUMP SYSTEM

SUBMITTAL DATA: TW12HQ2C2DI

Job Name	Location	Date
Purchaser	Engineer	
Submitted To	For	<input type="checkbox"/> Reference <input type="checkbox"/> Approval <input type="checkbox"/> Construction
Unit Designation	Schedule No.	



INCLUDED



SOLD SEPARATELY

GENERAL FEATURES

- Multi Speed Fan
- Swing Louvers
- Compact and Quiet Design
- Wireless Remote with LCD Display
- WiFi Capable (Kit Sold Separately) WSBE07
- Wired Controller (Sold Separately) XE71
- I Feel Function
- Blue Fin Condenser Coil

SYSTEM RATINGS		OUTDOOR UNIT DATA		
Cooling		Fan Moto		
Rated Capacity	12000 BTUH	Type	Cross-Flow	
SEER	SEE MATCHED OUTDOOR UNIT RATINGS	Output Power	20 W	
EER		FLA	0.1 A	
Heating at 47° F		Fan Type	Crossflow	
Rated Capacity	13000 BTUH	Air Filter	Polymeric Mesh	
HSPF	SEE MATCHED OUTDOOR UNIT RATINGS	Airflow		
COP		Turbo / Hi / Med / Lo	377/288/241/171 CFM	
Operating Range		Sound Pressure Level		
Cooling	(Max)	SEE MATCHED OUTDOOR UNIT RATINGS	Turbo / Hi / Med / Lo	43/39/35/29 Clg db(A)
	(Min)			43/39/35/29 Htg db(A)
Heating	(Max)		Dehumidification	
	(Min)		Drain Connection	
REFRIGERANT PIPING DATA		2.96 Pints/hr		
Operating Range		5/8-in		
Liquid Pipe Size (OD)		Left or Right Drain Line Connection-Gravity Fed		
Gas Pipe Size (OD) Flared		ELECTRICAL DATA		
Connection Method		Power Supply		
Pre-Charge Length		The indoor unit is powered from the outdoor unit, depending on local code, a disconnect switch may need to be installed to a power supply circuit.		
MAX Refrigerant Pipe Length		Normal Operational Voltage	208/230V, 1 Ph, 60 Hz	
MIN Refrigerant Pipe Length		Voltage Range	187 - 253 V	
MAX Refrigerant Pipe Height Difference		MCA	SEE MATCHED OUTDOOR UNIT RATINGS	
		MOCB/Breaker Size		
		Interconnecting Wire Size	14-4 AWG	
		Stranded Copper Conductors Wire.		





FEATURES & FUNCTION SUMMARY: TW12HQ2C2DI

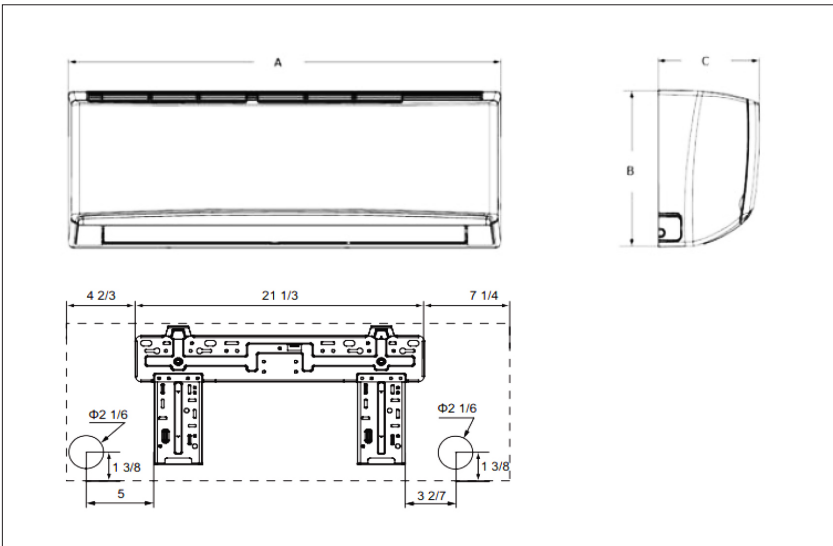
SYSTEM FEATURES	
Indoor Fin Coating (Blue)	Acrylic Resin
Wired Controller Interface (XE71)	YES
WiFi Interface Capable (WSBEC07)	Optional
Indoor Fan Type	Crossflow
Multi Fan Speeds	4 Speeds
Indoor Unit Display	YES
Advance Filter	Optional (see Filter Kits)
Auxiliary Electrical Heater	NO
Ventilation (Outdoor Air)	NO
XK19 WIRED CONTROLLER FUNCTIONS ²	
Auto Mode	YES
Auto Fan	YES
Auto Swing (Horizontal Auto Swing)	NO
Auto Swing (Vertical Auto Swing)	YES
Clock on Remote Controller	YES
Dry Mode	YES
Dry Anti-Mildew (X-Fan) Mode	NO
Energy Saving Mode	YES
Dirty Filter Alert	NO
I Feel Function	YES
Lock on Remote Controller	YES
Quiet Mode	NO
Room Temperature Display	YES
Sleep Mode	YES
4 Sleep Modes Options	NO
Timer Mode	YES
Turbo Mode	YES
Display On/Off Control	YES
Freeze Guard Mode	YES
Display On/Off Control	YES
Freeze Guard Mode	YES

MINIMUM CLEARANCES: TW12HQ2C2DI

INDOOR UNIT DIMENSIONS

Model No: TW12HQ2C2DI

Units: inch



Dimensions	
A	33 3/8
B	11 3/8
C	8 1/4

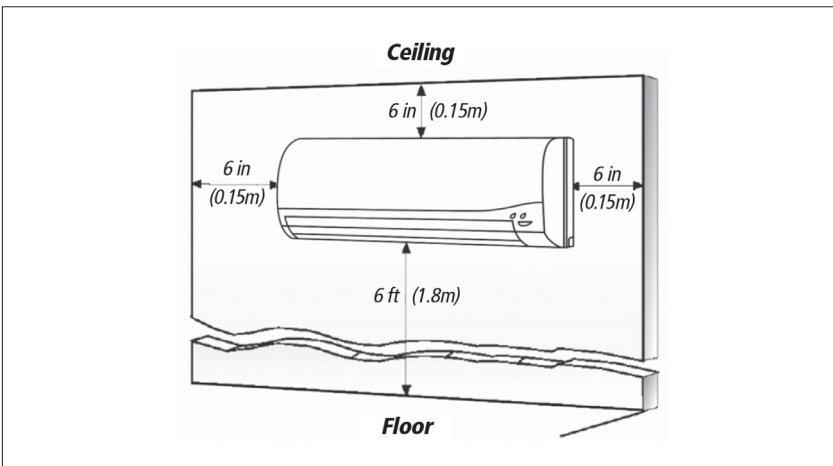
Weight (Net/Shipping) 22 / 26.5 lbs

Liquid Line Valve	1/4-in OD Flared
Gas Line Valve	3/8-in OD Flared
Drain Connector	5/8-in OD

MINIMUM SPACING REQUIREMENTS

INDOOR

Units: inch/m



Notes:

Recommended Interconnecting Cable Type 14 AWG 4 Stranded Copper Conductors Wire.