

TOSOT

SUPER HEAT / SUPER COOL

SMART TECH BUILT FOR BEST HOUSES ECOLOGY

24,000 BTU / H WALL MOUNTED HEAT- PUMP SYSTEM

SUBMITTAL DATA: TW24HXP2A1D

Job Name	Location	Date
Purchaser	Engineer	
Submitted To	For	<input type="checkbox"/> Reference <input type="checkbox"/> Approval <input type="checkbox"/> Construction
Unit Designation	Schedule No.	

**AHRI CERTIFIED REF
NO: 211177523**



SYSTEM RATINGS			INDOOR UNIT DATA	
Cooling			Fan Motor	
Rated Capacity at 95° F	22,000 BTU/H		Type	Cross-flow
Capacity Range	8,870-28,000 BTU/H		Output Power	60W
Power Input	1,679 W		FLA	0.30A
Power Input (Min/Max)	290/2,600 W		Fan Speeds	7
SEER / SEER2	24 / 24.5		Air flow (Min/Max)	383/736 CFM
EER / EER2	13 / 13.1		Sound Pressure Level	
Heating			Cooling (Low/High)	34/52 dB(A)
Rated Capacity at 47° F	24,000 BTU/H		Heating (Low/High)	34/52 dB(A)
Capacity Range	7,200-30,708 BTU/H		Dehumidification	5.07 pt/hr
Power Input	1,870 W		OUTDOOR UNIT DATA	
Power Input (Min/Max)	470 /3,100 W		Compressor	
HSPF/HSPF2	11.0 / 9.5		Type	DC Inverter Driven, Rotary
COP	3.81		RLA	11 A
Operating Range			Fan Motor	
Cooling	(Max)	122°F (50°C)	Output Power	60 W
	(Min)	-20°F (-29°C)	RLA	0.6 A
Heating	(Max)	86°F (30°C)	Sound Pressure Level	
	(Min)	-22°F (-30°C)	62 dB(A)	
Power Supply			Refrigerant Piping Data	
Normal Operational Voltage	208/230 V, 1 Phase, 60 Hz		Liquid Pipe Size (OD)	1/4-in
Voltage Range	187 - 253 V		Gas Pipe Size (OD)	5/8-in
Main Power Wire Size	12-2 AWG		Connection Method	Flared
Interconnecting Cable Wire Size	14-4 AWG		Factory Charge	R410A/60 oz
MCA	16 A		Additional Charge	0.5 oz/ft
MOCF	25A		Pre-Charge Length	24.6-ft
			MAX Refrigerant Pipe Length	131.2-ft
			MIN Refrigerant Pipe Length	10-ft
			MAX Refrigerant Pipe Height Difference	82.0-ft

GENERAL FEATURES

- Easy Installation and cleaning
- Low Ambient Heating (down to -22° F)
- High Ambient Cooling (up to - 122° F)
- WiFi Included
- 3D Airoutlet
- Wired Controller (Sold Separately) XK19
- 7 Indoor Fan Speeds
- Copper Tube/Aluminum Fins w/Acrylic Resin Anti-Corrosion both inside and out
- 5 Steps for air purification
- I-FEEL Function

TOSOT.COM





FEATURES & FUNCTION SUMMARY: TW24HXP2A1D

SYSTEM FEATURES	
Ultra Low Frequency Torque Control	Yes
Power Factor Correction	Yes
Compressor Type	High Eff. Rotary
Refrigerant Type	R410A
Basepan With Electric Heater	YES
Compressor With Electric Heater	YES
Indoor & Outdoor Fin Coating (Blue)	Acrylic Resin/Anti-Corrosion
Intelligent Defrosting	YES
Intelligent Preheating	YES
Low Voltage Startup	YES
Memory/Power Failure Recovery	YES
Self Diagnosis	YES
Wired Controller Interface	YES
WIFI Included	YES
Indoor Fan Type	Crossflow
Multi Fan Speeds	7 Speeds
Indoor Unit Display	YES
Auxiliary Electrical Heater	NO
Ventilation (Outdoor Air)	NO
REMOTE CONTROLLER FUNCTIONS	
Auto Mode	YES
Auto Fan	YES
Auto Swing (Horizontal Auto Swing)	NO
Auto Swing - 180°(Vertical Auto Swing)	YES
Clock on Remote Controller	YES
Dry Mode	YES
Dry Anti-Mildew (X-Fan) Mode	YES
Energy Saving Mode	NO
Dirty Filter Alert	NO
Fan Speed Control (7 speeds)	YES
I Feel Function	YES
Privacy Lock on Remote Controller	YES
Quiet Mode	YES
Room Temperature Display	YES
Sleep Mode	YES
3 Sleep Modes Options	YES
Timer Mode	YES
Turbo Mode	YES
Display On/Off Control	YES
Freeze Guard Mode	YES
Power Failure Mode	YES



EXTENDED RATINGS: TW24HXP2A1D

HEATING PERFORMANCE

Outdoor Ambient Temperature (DB)	Return Air Temperature												
	70°F (DB) / 59°F (WB)			75°F (DB) / 63°F (WB)			80°F (DB) / 67°F (WB)			90°F (DB) / 73°F (WB)			
	TC (Btu/h)	COP (W/W)	Power Input (W)	TC (Btu/h)	COP (W/W)	SHR Power Input (W)	TC (Btu/h)	COP (W/W)	Power Input (W)	TC (Btu/h)	COP (W/W)	SHR Power Input (W)	
MAX OUTPUT*	-22°F	15,311	2.13	2,292	14,852	1.98	2,385	14,622	1.91	2,433	14,316	1.84	2,482
	-13°F	16,250	2.21	2,338	15,763	2.06	2,434	15,519	1.99	2,483	15,194	1.91	2,532
	-4°F	17,909	2.39	2,386	17,371	2.23	2,484	17,103	2.15	2,533	16,745	2.06	2,584
	0°F	17,960	2.35	2,435	17,421	2.19	2,534	17,152	2.11	2,585	16,793	2.03	2,637
	6°F	19,225	2.46	2,485	18,648	2.30	2,586	18,360	2.22	2,638	17,975	2.13	2,690
	10°F	20,768	2.61	2,535	20,145	2.43	2,639	19,834	2.35	2,692	19,418	2.25	2,745
	16°F	21,989	2.71	2,587	21,330	2.52	2,693	21,000	2.44	2,746	20,560	2.34	2,801
	19°F	22,205	2.68	2,640	21,538	2.50	2,748	21,205	2.41	2,803	20,761	2.31	2,859
	24°F	23,521	2.78	2,694	22,815	2.59	2,804	22,463	2.50	2,860	21,992	2.40	2,917
	32°F	24,174	2.80	2,749	23,449	2.61	2,861	23,086	2.52	2,918	22,603	2.42	2,976
	41°F	27,496	3.12	2,805	26,671	2.91	2,919	26,258	2.81	2,978	25,708	2.70	3,037
	43°F	31,491	3.50	2,862	30,546	3.27	2,979	30,074	3.15	3,038	29,444	3.03	3,099
	47°F	32,154	3.51	2,920	31,189	3.27	3,040	30,707	3.15	3,100	30,064	3.03	3,162
	53°F	33,486	3.55	3,008	32,481	3.30	3,131	31,979	3.19	3,193	31,309	3.06	3,257
	59°F	35,817	3.68	3,098	34,743	3.43	3,225	34,205	3.31	3,289	33,489	3.18	3,355
	64°F	35,712	3.56	3,191	34,641	3.32	3,321	34,105	3.21	3,388	33,391	3.08	3,456
70°F	33,907	3.29	3,287	32,890	3.06	3,421	32,381	2.96	3,490	31,703	2.84	3,559	
75°F	32,802	3.09	3,386	31,818	2.88	3,524	31,326	2.78	3,594	30,670	2.66	3,666	
78°F	30,128	2.75	3,487	29,225	2.56	3,629	28,773	2.48	3,702	28,170	2.38	3,776	

*Maximum Output values are not based on AHRI test conditions

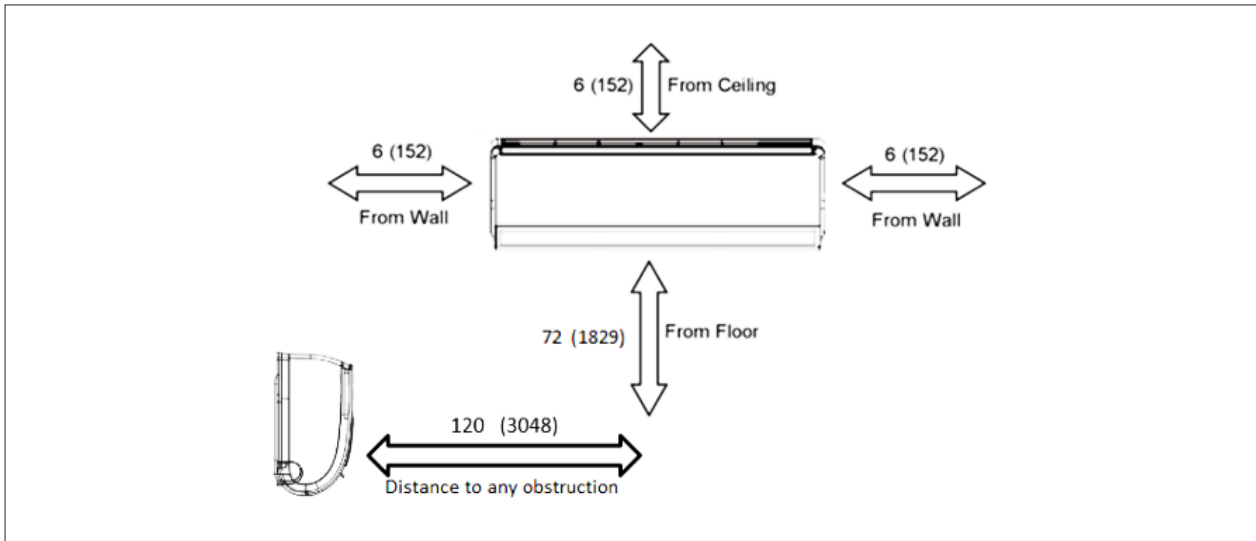
LEGEND:	W - Watts
	DB - Dry Bulb
	TC - Total Capacity
	SC - Sensible Capacity
	SHR - Sensible Heat Ratio
	COP - Coefficient of Performance

DIMENSIONAL SPECIFICATIONS: TW24HXP2A1D

MINIMUM SPACING REQUIREMENTS

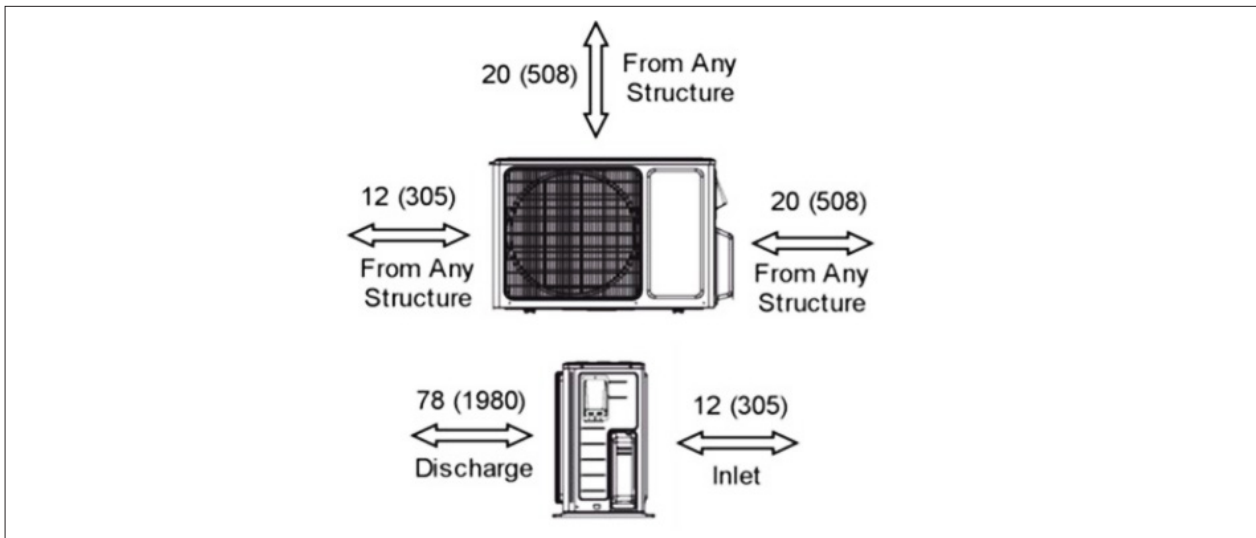
INDOOR

Units: inch (mm)



MINIMUM OUTDOOR CLEARANCES

Units: inch (mm)



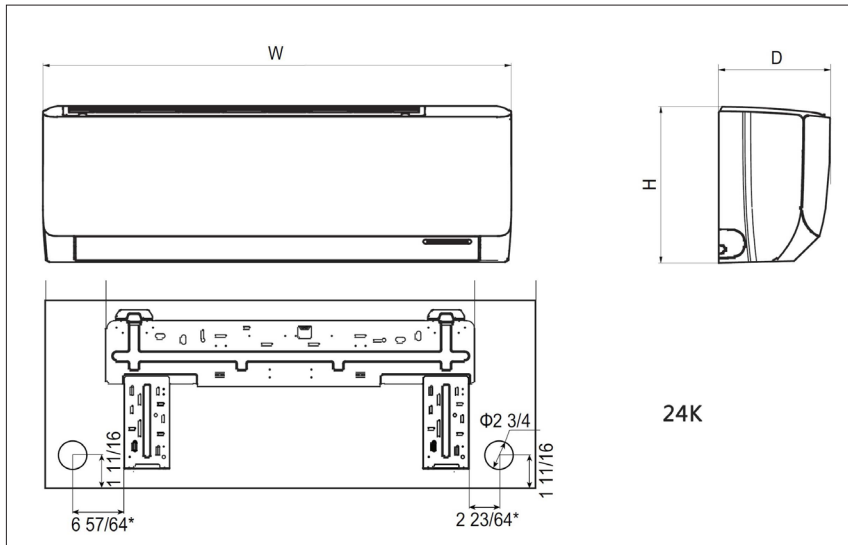
TOSOT

DIMENSIONAL SPECIFICATIONS: TW24HXP2A1D

INDOOR UNIT DIMENSIONS

Model No: TW24HXP2A1DI

Units: inch



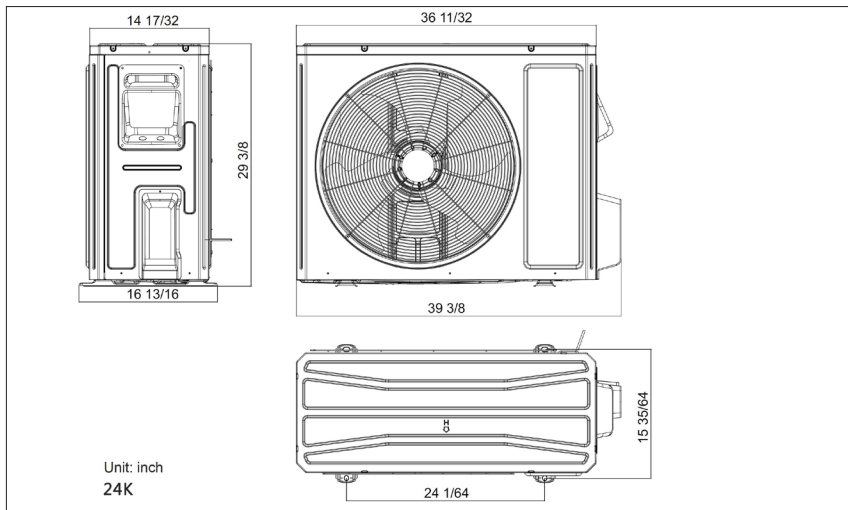
Dimensions	
D	9 11/16
H	13 7/64
W	42 21/64
W1	7 7/32
W2	27 55/64
W3	7 1/4

Weight (Net/Shipping) 35.3 / 41.9 LBS

Liquid Line Valve	1/4-in OD Flared
Gas Line Valve	5/8-in OD Flared
Drain Connector	5/8-in OD

OUTDOOR UNIT DIMENSIONS

Model No: TW24HXP2A1DO



Weight (Net/Shipping) 125.7 /136.7 LBS

Liquid Line Valve	1/4-in OD Flared
Gas Line Valve	5/8-in OD Flared

Notes:

1. Recommended Interconnecting Cable Type 14 AWG 4 Stranded Copper Conductors Wire.
2. Power wiring cable size must comply with applicable national and local codes.
3. Test conditions are based on AHRI 210/240.